



THREE FLANGE DUAL PRIMARY 10VA PC BOARD POWER TRANSFORMER

REV. Status

REVISION - 10/22/99 TS

REVISION A
REV'D SCHEMATIC
SEE PG. 2
11/17/99 TS

REVISION B
ADDED RoHS &
UPDATED LABELS.
DELETED CSA#
LR69223
02/15/06 MP

REVISION C
CHG TUV FILE #
WAS 810/89
(EN60950 & VDE
0551). CLARIFIED
PIN OUTS
03/30/07 YS

REVISION D
UPDATED SAFETY
11/15/07 YS

REVISION E
UPDATE LOGO'S
TO STD IED.
Dielectric
Withstand WAS
Hi-Pot 3500.
4-30-08 EB

REVISION F
UPDATED SAFETY
10/19/12 MP

TOLERANCES (mm)	
≤ 4	± 0.2
4 ≤ 20	± 0.3
20 ≤ 50	± 0.4

PREPARED BY:
Mathi Pitchai

ENGINEER:
Mathi Pitchai

SAFETY ENGINEER
B. Oconnel

APPROVED:
Peter Brune

A. Electrical Specifications (@ 25 °C)

1. Maximum Power; 10VA
2. Primary Voltage and Frequency; 115/230VAC 50/60Hz
3. Secondary RMS rating: See tabulation in Table A
4. Voltage Regulation; 25% TYP @ full load to no load
5. Temperature Rise; 45°C TYP (60°C MAX)
6. Insulation Resistance;
 - 100MΩ MIN @ 500VDC, Pri to Sec, Pri to Core
 - 100MΩ MIN @ 500VDC. Sec to Core
7. Dielectric Withstand; 3750Vrms 1 minute @ Pri to Sec
1500Vrms 1 minute @ Pri to Core
1500Vrms 1 minute @ Sec to Core

B. Marking; TAMURA, MICROTRAN, part number (see sheet 2) date code, country of origin, terminal number and input and output ratings (see sheet 2)

C. Safety:

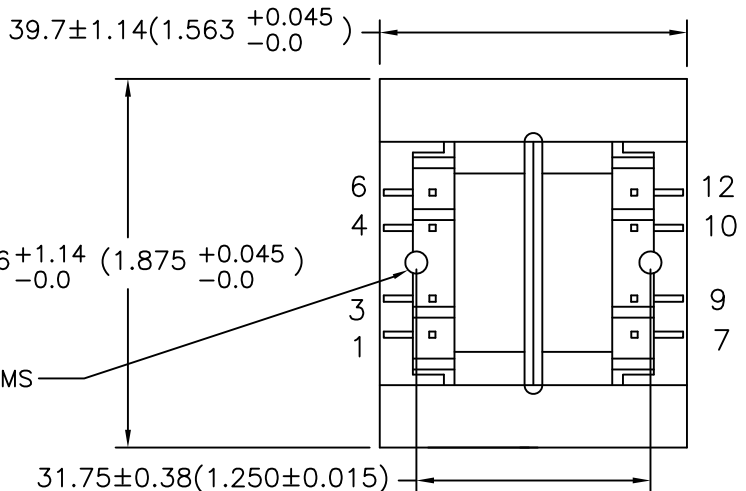
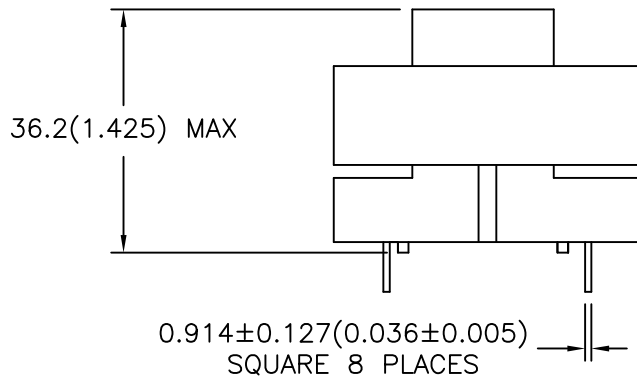
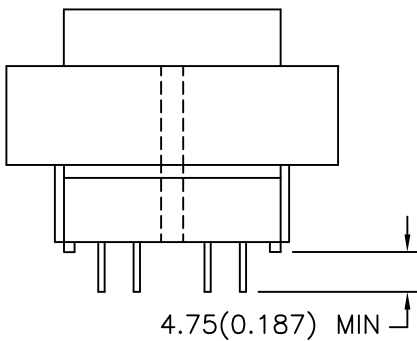
Conforms to construction requirement of:
UL5085-1, -2; CSA No. 66.1, 66.2
(from Datecode 1244 and onwards).
UL506, UL1411
UL1446 (CLASS 130(B))
EN61558-1, -2-6



Safety certificate file reference:
UL E138028, E79781, E92957
CSA 175561
TUV (P.S.) 20650818

Mounting hardware may reduce spacing in end use application.

D. Mechanical Specifications:

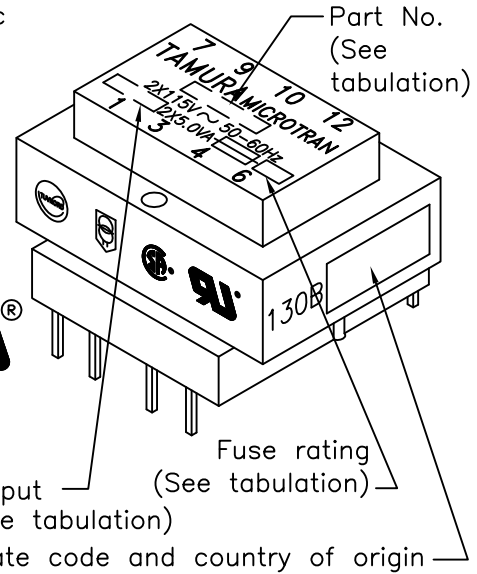


CLEARANCE HOLE FOR 4-40 (M3) MS
Ø 2.87(0.113) MIN. 2 PLACES

NOTE: Board washing is not recommended for these parts



MODEL NUMBER
PL10-XX-130B



ENGINEER:	DWG CONTROL NO.	REV
Mathi Pitchai	P-A1-12227	F
	ACAD\MXFMR\A1122271.DWG	

POWER TRANSFORMER

PL10-XX-130B

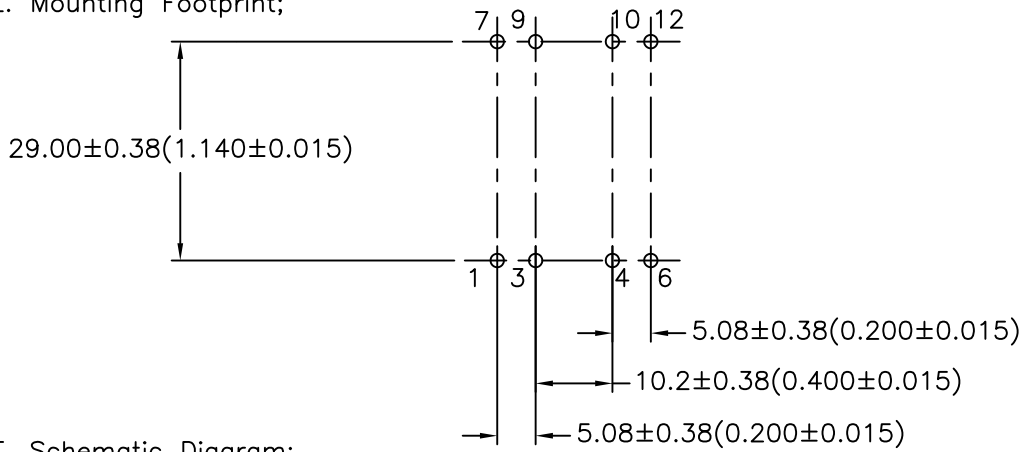
CONTENTS OF THIS DRAWING ARE SUBJECT TO CHANGE WITHOUT PRIOR NOTICE

TAMURA CORPORATION OF AMERICA
43352 BUSINESS PARK DRIVE, TEMECULA, CA. 92590-6624
(951) 699-1270 FAX 9516769482

MODEL SPECIFICATION
DIM: mm(ln) SCL: 1/1 SH: 1 OF 2

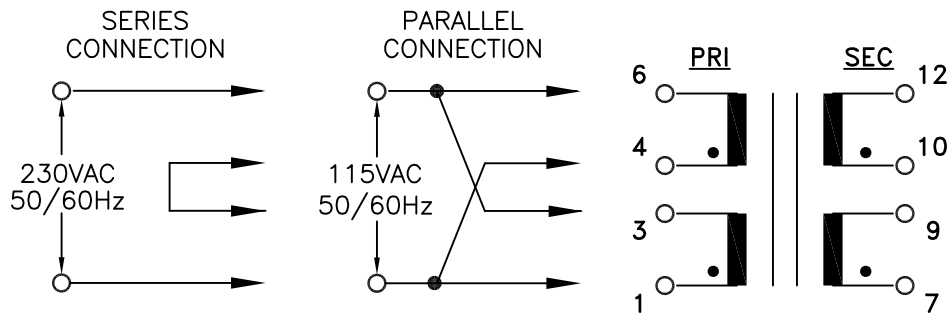
PROPRIETARY NOTICE: THIS DRAWING PRINT OR DOCUMENT AND SUBJECT MATTER DISCLOSED HEREIN ARE PROPRIETARY ITEMS TO WHICH TAMURA RETAINS THE EXCLUSIVE RIGHT OF DISSEMINATION, REPRODUCTION, MANUFACTURE AND SALE. THIS DRAWING, PRINT OR DOCUMENT IS SUBMITTED IN CONFIDENCE FOR CONSIDERATION BY THE RECIPIENT ALONE UNLESS PERMISSION FOR FURTHER DISCLOSURE IS EXPRESSLY GRANTED IN WRITING.

E. Mounting Footprint;

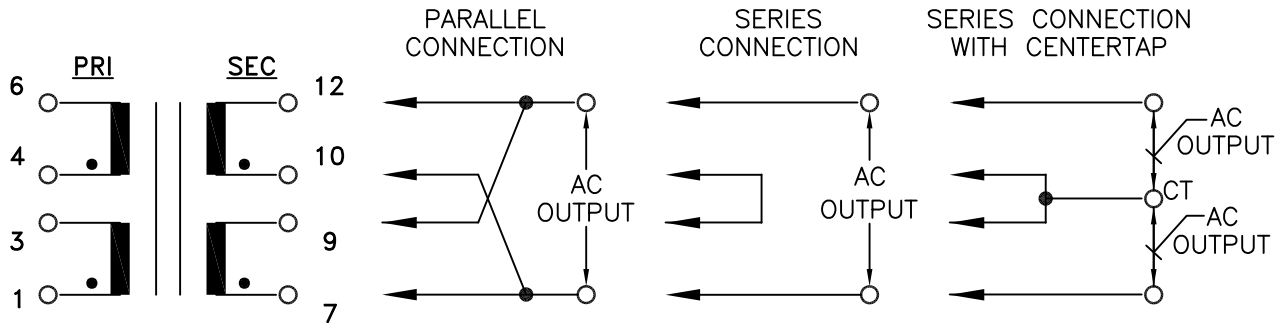


F. Schematic Diagram:

PRIMARY INPUT CONNECTIONS



SECONDARY OUTPUT CONNECTIONS



T= Time lag

G. Table A:

PART NO.	PARALLEL CONNECTION		SERIES CONNECTION		SERIES WITH CT		OUTPUT	SECONDARY FUSE REQ'D EACH WINDING
	AC VOLTS	RMS AMPS	AC VOLTS	RMS AMPS	AC VOLTS	RMS AMPS		
PL10-10-130B	5.0	2.00	10.0	1.00	5.0-CT-5.0	1.00	2X5.0V	T 1.00A
PL10-12-130B	6.3	1.60	12.6	0.80	6.3-CT-6.3	0.80	2X6.3V	T 0.80A
PL10-16-130B	8.0	1.25	16.0	0.62	8.0-CT-8.0	0.62	2X8.0V	T 0.63A
PL10-20-130B	10.0	1.00	20.0	0.50	10.0-CT-10.0	0.50	2X10.0V	T 0.50A
PL10-24-130B	12.0	0.84	24.0	0.42	12.0-CT-12.0	0.42	2X12.0V	T 0.50A
PL10-28-130B	14.0	0.72	28.0	0.36	14.0-CT-14.0	0.36	2X14.0V	T 0.40A
PL10-36-130B	18.0	0.56	36.0	0.28	18.0-CT-18.0	0.28	2X18.0V	T 0.315A

PREPARED BY:
Mathi Pitchai

ENGINEER:
Mathi Pitchai

SAFETY ENGINEER
B. Oconnel

APPROVED:
Peter Brune

DWG CONTROL NO. P-A1-12227
ACAD\MXFMR\A1112272.DWG

REV F
POWER TRANSFORMER

TAMURA CORPORATION OF AMERICA
43352 BUSINESS PARK DRIVE, TEMECULA, CA. 92590-6624
(951) 699-1270 FAX 9516769482

PL10-XX-130B

MODEL SPECIFICATION
DIM: mm(In) SCL: 1/1 SH: 2 OF 2

PROPRIETARY NOTICE: THIS DRAWING PRINT OR DOCUMENT AND SUBJECT MATTER DISCLOSED HEREIN ARE PROPRIETARY ITEMS TO WHICH TAMURA RETAINS THE EXCLUSIVE RIGHT OF DISSEMINATION, REPRODUCTION, MANUFACTURE AND SALE. THIS DRAWING, PRINT OR DOCUMENT IS SUBMITTED IN CONFIDENCE FOR CONSIDERATION BY THE RECIPIENT ALONE UNLESS PERMISSION FOR FURTHER DISCLOSURE IS EXPRESSLY GRANTED IN WRITING.