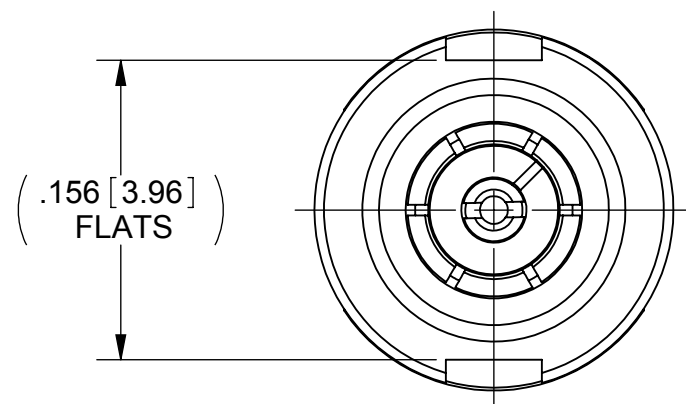
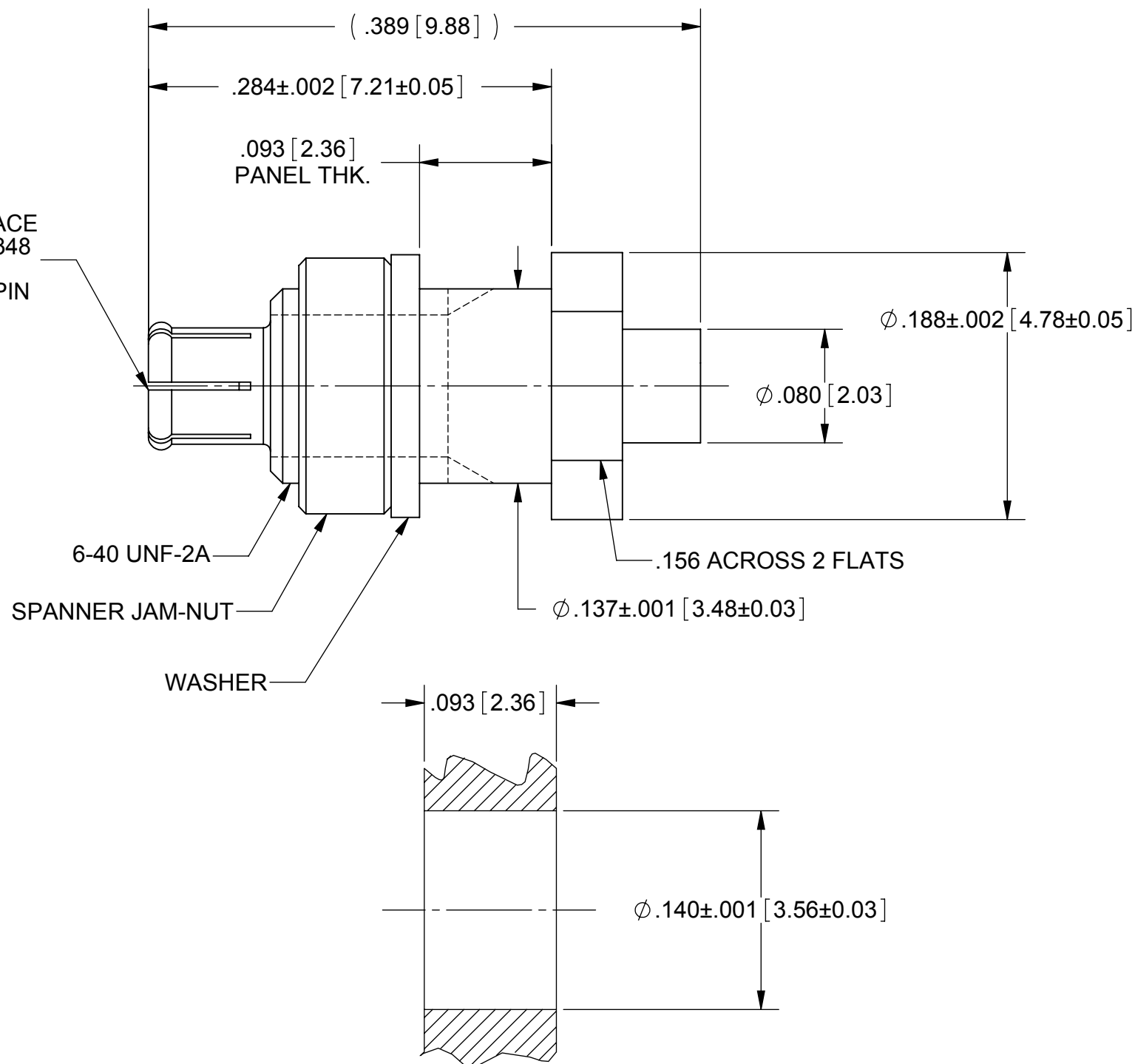


# PRODUCT DATA DRAWING

REVISION HISTORY			
REV	DESCRIPTION	DATE	APPROVED
-	DCN 38042	02/11	STW



SMPM INTERFACE  
PER MIL-STD-348  
ACCEPTS  
Ø.012 [0.30] PIN



### RECOMMENDED MOUNTING HOLE

**MATERIAL:**

- BODY & CONTACT: BERYLLIUM COPPER PER ASTM B196, ALLOY No. UNS C17300, TD04.
- INSERT & JAM NUT: BRASS PER ASTM B16, ALLOY No. UNS C36000
- LOCK WASHER: BRASS PER ASTM B36, ALLOY No. UNS C26000, H02
- INSULATOR: PTFE PER ASTM D1710, TYPE I, GRADE 1, CLASS B

**FINISH:**

- BODY, INSERT & CONTACT: GOLD PER ASTM B488, TYPE II, CODE C, CLASS 1.27; OVER NICKEL PER AMS-QQ-N-290, CLASS 1, .00005" MIN.
- JAM NUT & LOCKWASHER: NICKEL PER AMS-QQ-N-290, CLASS 1, GRADE G

**PERFORMANCE:**

- IMPEDANCE: 50 OHMS
- FREQ. RANGE: DC TO 65.0 GHz
- DWV: 325 VRMS
- OPERATING TEMP.: -55°C TO +125°C

MATERIAL: SEE NOTES	DIMENSIONS ARE IN INCHES TOLERANCES: FRACTIONAL: ±1/64 ANGULAR: X° ±1°0' X°X' ±15'	UNLESS OTHERWISE SPECIFIED 1) ALL DIMENSIONS ARE IN INCHES (MILLIMETERS) 2) ALL DIMENSIONS ARE AFTER PLATING. 3) BREAK CORNERS & EDGES .005 R. MAX. 4) CHAM. 1ST & LAST THREADS. 5) SURFACE ROUGHNESS 63-MIL-STD-10. 6) DIA.'S ON COMMON CENTERS TO BE CONCENTRIC WITHIN .005 T.I.R. 7) REMOVE ALL BURRS	<b>SV Microwave, Inc.</b> 2400 Centrepark West Drive, Suite 100 West Palm Beach, FL 33409 TITLE: <b>SMPM FEMALE BLKHD MT. FOR Ø.047 CABLE</b>
FINISH: SEE NOTES	DECIMAL: X ±.030 .XX ±.010 .XXX ±.005	INTERPRET DIMENSIONS AND TOLERANCES PER ASME Y14.5M - 1994	
SURFACE AREA: N/A	THIRD ANGLE PROJECTION	DRAWN: FED 02/28/11	SIZE   CAGE CODE   DWG. NO. <b>B 95077</b>   3221-40011
PROPRIETARY THE INFORMATION CONTAINED IN THIS DRAWING IS THE SOLE PROPERTY OF SV MICROWAVE, INC. ANY REPRODUCTION IN PART OR AS A WHOLE WITHOUT THE WRITTEN PERMISSION OF SV MICROWAVE, INC IS PROHIBITED.		CHECKED: STW 02/28/11	SCALE: 10:1
		APPROVED: STW 02/28/11	SHEET 1 OF 1