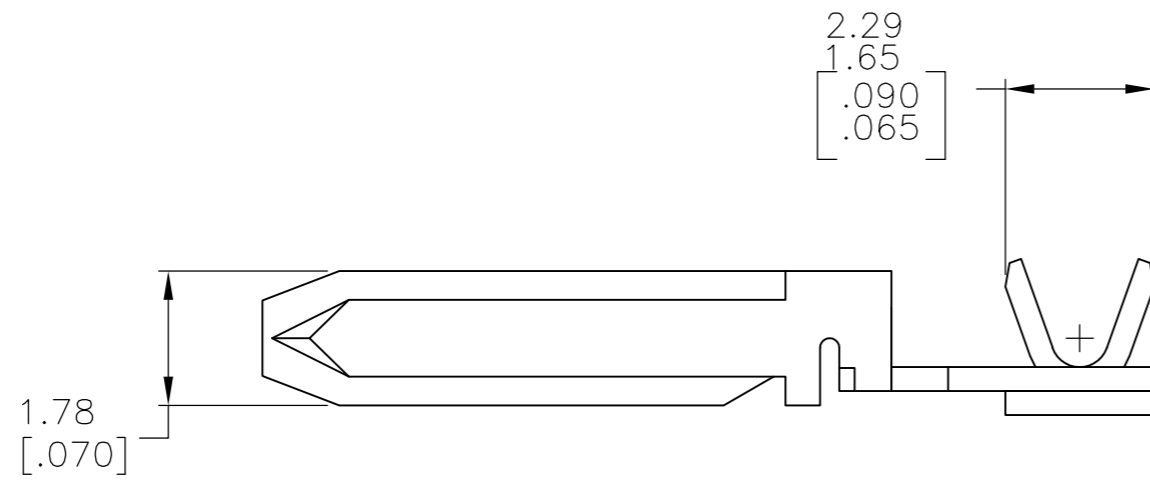
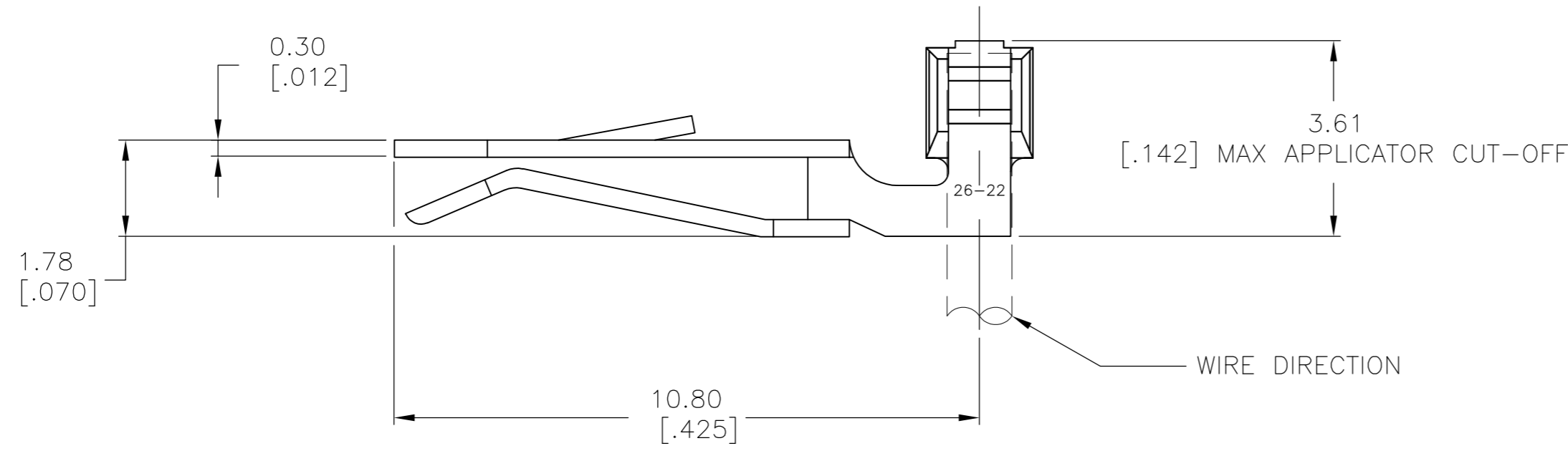


THIS DRAWING IS UNPUBLISHED. RELEASED FOR PUBLICATION
 © COPYRIGHT BY TYCO ELECTRONICS CORPORATION. ALL RIGHTS RESERVED.

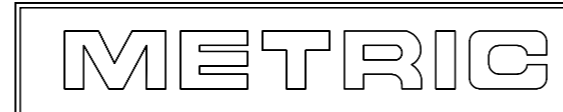
LOC	DIST	REVISIONS			
P	LTR	DESCRIPTION	DATE	DWN	APVD
CM	0	H	REVISED PER ECO-07-010173	01MAY07	KW DB

1. DIMENSION IN BRACKET ARE IN INCHES.
2. WIRE RANGE:26-22 AWG (0.12-0.4 mm²).



	TIN	640709-2
SUPERSEDED BY 640709-2	TIN-LEAD	640709-1
	FINISH	PART NO

THIS DRAWING IS A CONTROLLED DOCUMENT.		DWN	B. LEWIS	23JAN92	Tyco Electronics Corporation Harrisburg, PA 17105-3608
DIMENSIONS: mm [INCHES]		CHK	R. SWING	23JAN92	
TOLERANCES UNLESS OTHERWISE SPECIFIED:		APVD	G. MILLER	23JAN92	
0 PLC ± - 1 PLC ± - 2 PLC ± - 3 PLC ± 0.25[.010] 4 PLC ± - ANGLES ± -		PRODUCT SPEC	NAME		
MATERIAL		APPLICATION SPEC		CONTACT,CRIMP SNAP-IN, LOOSE PIECE, MTA-100	
0.30[.012] THK COPPER ALLOY		FINISH		-	
		WEIGHT		-	
		CUSTOMER DRAWING		SCALE 10:1 SHEET 1 OF 1 REV H	
				SIZE A2 CAGE CODE 00779 C=640709 RESTRICTED TO -	



640709