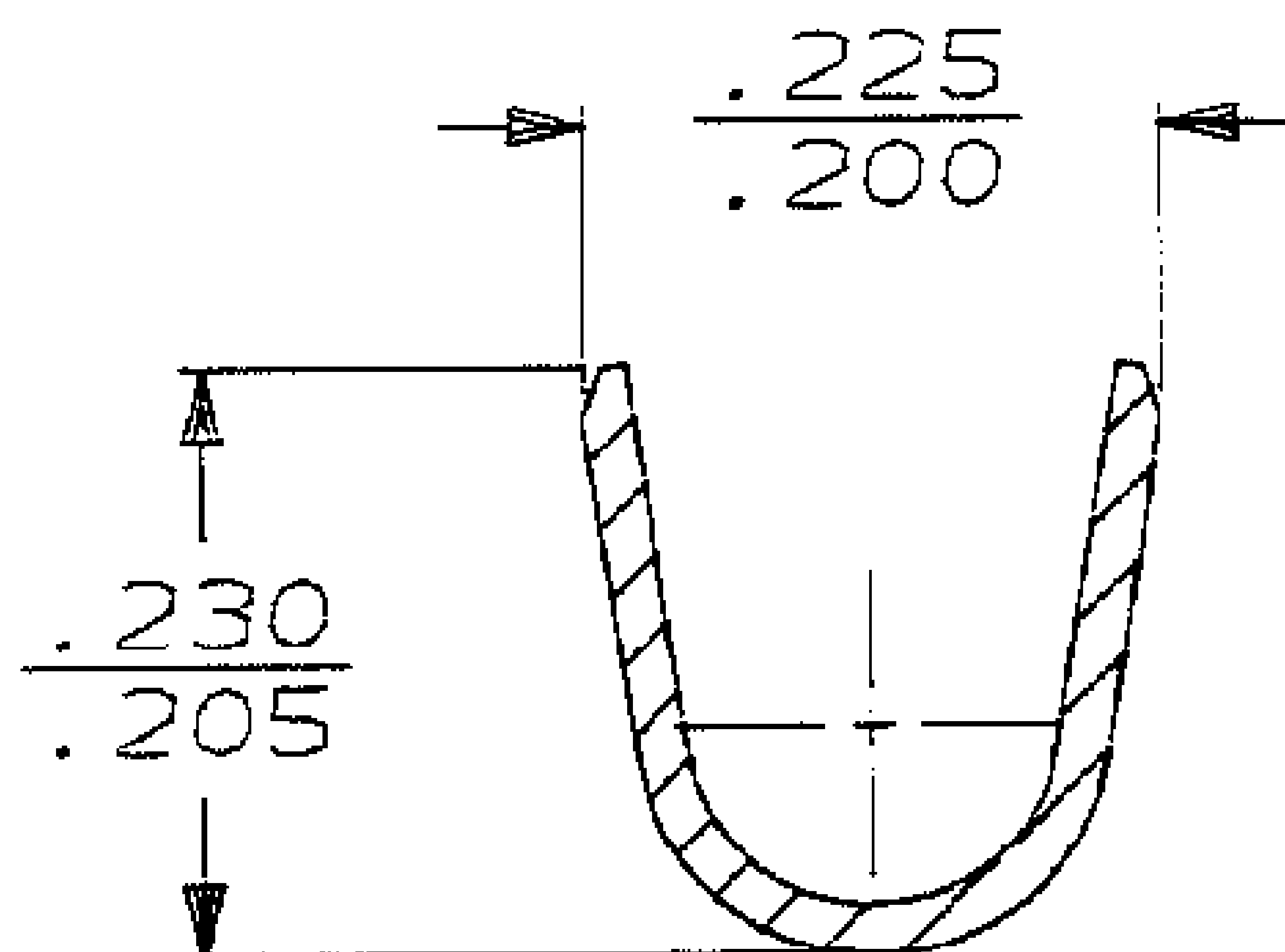
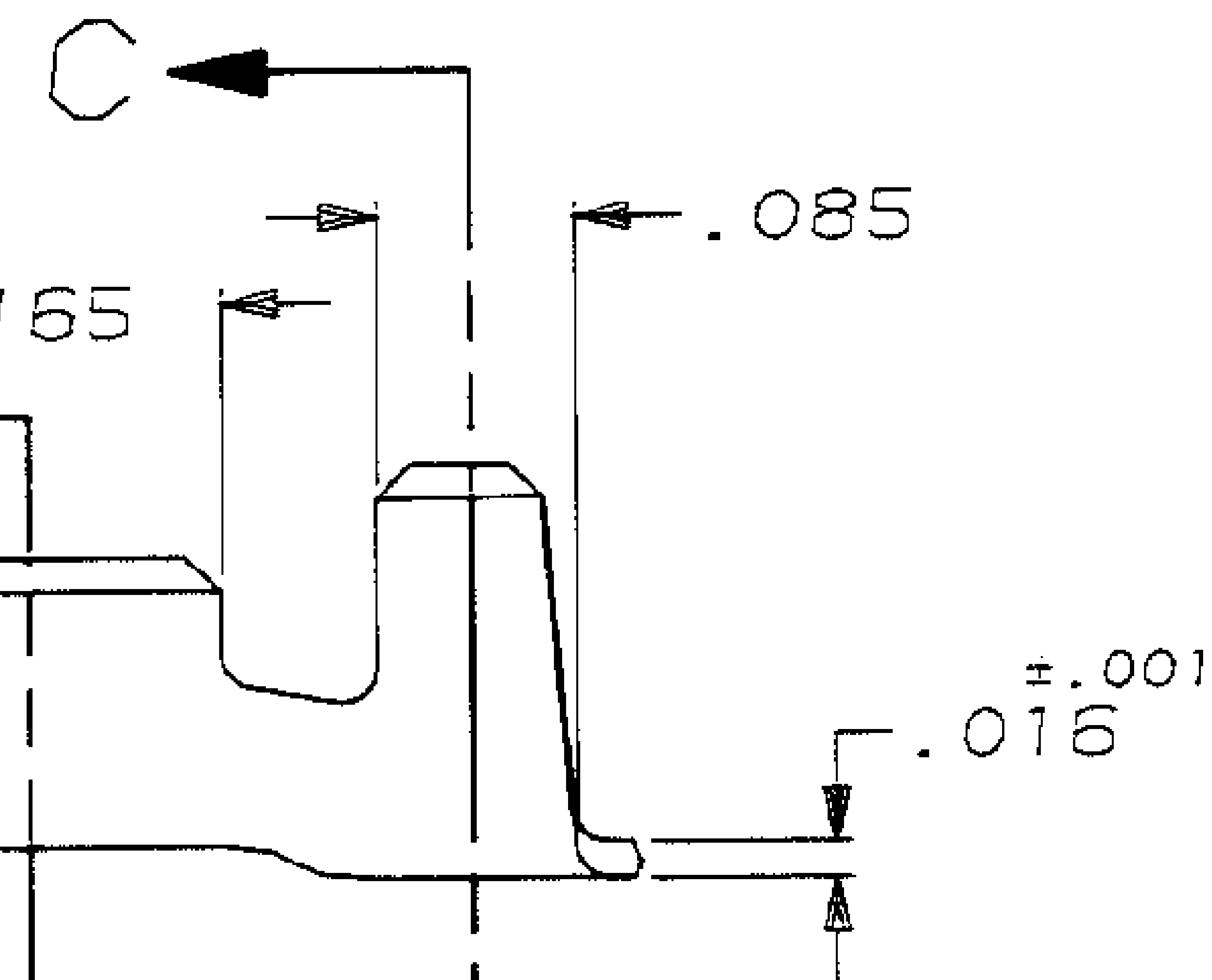


FITS .250 SERIES
FASTON TAB

VIEW A-A



SECTION C-C

OBSOLETE	TIN	.120-.170	2000-4500	18-14 OR TWO
	FINISH	INSULATION RANGE	CMA	MAGNET WI
				WIRE SIZE

DO NOT SCALE PRINT.
UNLESS SPECIFIED
DIMENSIONS ARE IN INCHES
TOLERANCES ON:
2 PLC DEC ± -
3 PLC DEC ± .015
ANGLES ± -

DR 5/18/90
JR RUTH
CHK 5/18/90
MS FEHER
APPD 5/18/90
C MEYERS
APPD 5/18/90