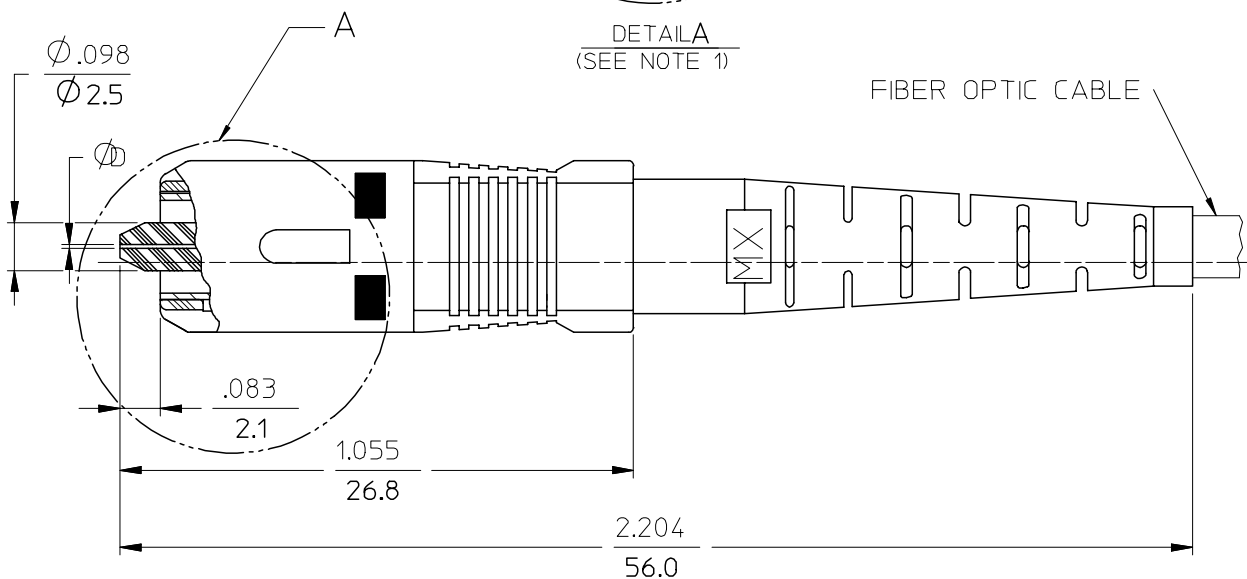
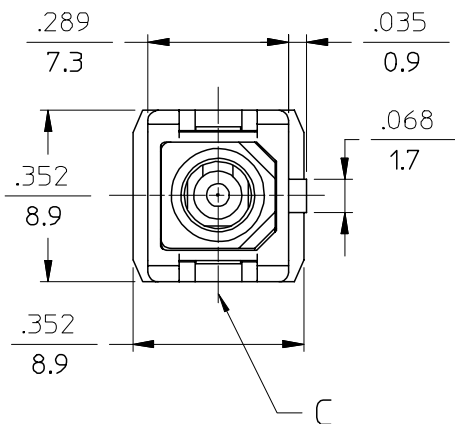
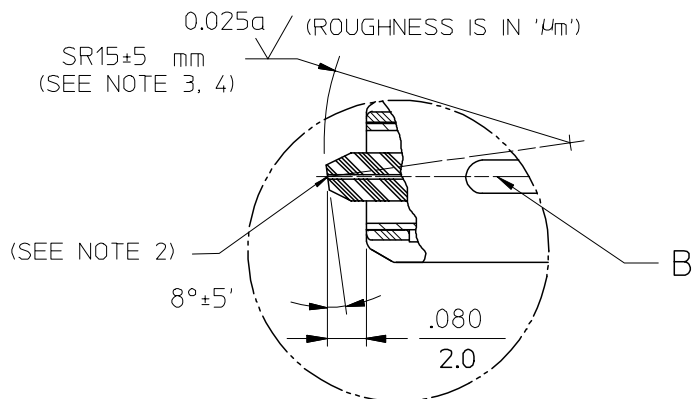


CONNECTOR P/N	ØD (µm)	FIBER OPTIC CABLE SIZE(mm)
106033-2000	125.5 $\begin{smallmatrix} +1.0 \\ -0.0 \end{smallmatrix}$	3.0
106033-2100		1.6 SIMPLEX
106033-2900		2.0&1.6 DUPLEX
106033-4000	125.0 $\begin{smallmatrix} +1.0 \\ -0.0 \end{smallmatrix}$	3.0
106033-4100		1.6 SIMPLEX
106033-4900		2.0&1.6 DUPLEX
106033-5000	126.0 $\begin{smallmatrix} +1.0 \\ -0.0 \end{smallmatrix}$	3.0
106033-5100		1.6 SIMPLEX
106033-5900		2.0&1.6 DUPLEX



- NOTES:
1. ANGLE POLISHING IS ACCOMPLISHED AFTER CONNECTOR IS TERMINATED WITH FIBER AND TUNED.
 2. FIBER EXTENSION SHALL BE ±50nm.
 3. THE APEX OFFSET OF THE SPHERICAL ENDFACE TO THE AXIS OF THE FERRULE SHALL BE LESS THAN 50 µm.
 4. CENTER OF SR 15±5 mm MUST LIE IN THE PLANE FORMED BY AXES 'B' AND 'C'. MAXIMUM DEVIATION ±.05 mm.

ENTER DESCRIPTION EC NO: MF2006-0217 DRW: NPG/BLN CHKD: 2005/12/06 APPR: IGUMIN 2005/12/06	QUALITY SYMBOLS ▽=0 ▽=0	GENERAL TOLERANCES (UNLESS SPECIFIED)		DIMENSION STYLE INCH ONLY		SCALE 4:1	DESIGN UNITS INCH	THIRD ANGLE PROJECTION	
				DRAWN BY RPACIFIC1		DATE 2005/09/29	TITLE SC APC CONNECTOR (TUNABLE)		
				CHECKED BY		DATE			
				APPROVED BY		DATE	MATERIAL NO. SEE TABLE		
		ANGULAR ±1/2°		DOCUMENT NO. SD-106033-XX00		SHEET NO. 1 OF 01			
DRAFT WHERE APPLICABLE MUST REMAIN WITHIN DIMENSIONS		SIZE B		THIS DRAWING CONTAINS INFORMATION THAT IS PROPRIETARY TO MOLEX INCORPORATED AND SHOULD NOT BE USED WITHOUT WRITTEN PERMISSION					