

参考基板レイアウト (マウント面)
P.C.B. PATTERN LAYOUT (REF.) (MOUNT AREA)

- NOTES
- 材質
MATERIAL
ハウジング: ガラス入りPPS、黒色、UL94V-0
HOUSING: G.F.PPS, BLACK, UL94V-0
ターミナル: 銅合金 (t=0.32)
TERMINAL: COPPER ALLOY
 - メッキ仕様
PLATING
コンタクト部: 金メッキ 0.1μmMIN.
CONTACT AREA: Au 0.1μmMIN.
テール部: 金メッキ 0.1μmMIN.
TAIL AREA: Au 0.1μmMIN.
下地メッキ: ニッケルメッキ 1.0μmMIN.
UNDER-PLATING: NICKEL 1.0μmMIN.
 - 嵌合相手: 52465, 52588 シリーズ
MATES WITH 52465, 52588 SERIES
ウェハのφから隣接するピンのφ迄の位置とする。
SHOW POSITION FROM φ OF WAFER TO φ OF ADJACENT PINS.

0.8	5.8	4.9	3.2	53307-1032	53307-1038	10	53307-**38
D	C	B	A	エンボス極包 EMBS PKG NO.	コネクタ単体 MATERIAL NO.	極数 CKT	MODEL NO.

RELEASED EC NO: J2007-2662 DR: W.H.YAJIMA 2007/05/09 CHK: K.KASAHARA 2007/05/11 APPR: N.UKITA 2007/05/14	GENERAL TOLERANCES (UNLESS SPECIFIED)		DIMENSION STYLE MM ONLY		SCALE ---	DESIGN UNITS METRIC	THIRD ANGLE PROJECTION
	10 UNDER	±0.2	DRAWN BY H.YAJIMA	DATE 2007/03/20	TITLE 0.8 B/B CONN WAFER ASSY ST SMT -LEAD FREE-		
	10 OVER 30 UNDER	±0.25	CHECKED BY K.KASAHARA	DATE 2007/03/20	MOLEX INCORPORATED		
	30 OVER	±0.3	APPROVED BY N.UKITA	DATE 2007/03/20	DOCUMENT NO. SD-53307-022		
0	ANGULAR	±3 °	MATERIAL NO. SEE CHART		SHEET NO. 1 OF 2		
	DRAFT WHERE APPLICABLE MUST REMAIN WITHIN DIMENSIONS		SIZE A3		THIS DRAWING CONTAINS INFORMATION THAT IS PROPRIETARY TO MOLEX INCORPORATED AND SHOULD NOT BE USED WITHOUT WRITTEN PERMISSION		

10 9 8 7 6 5 4 3 2 1

F

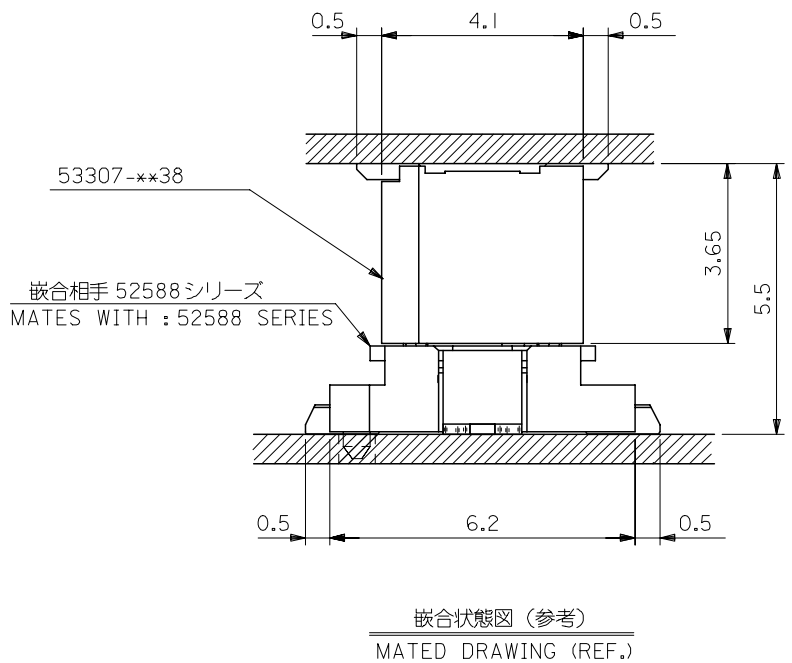
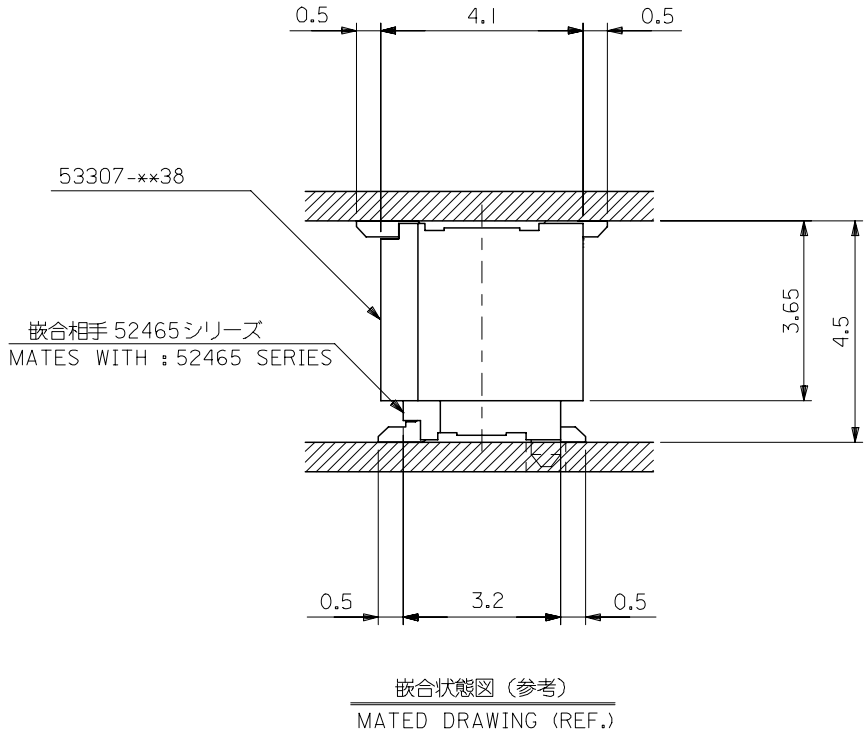
E

D

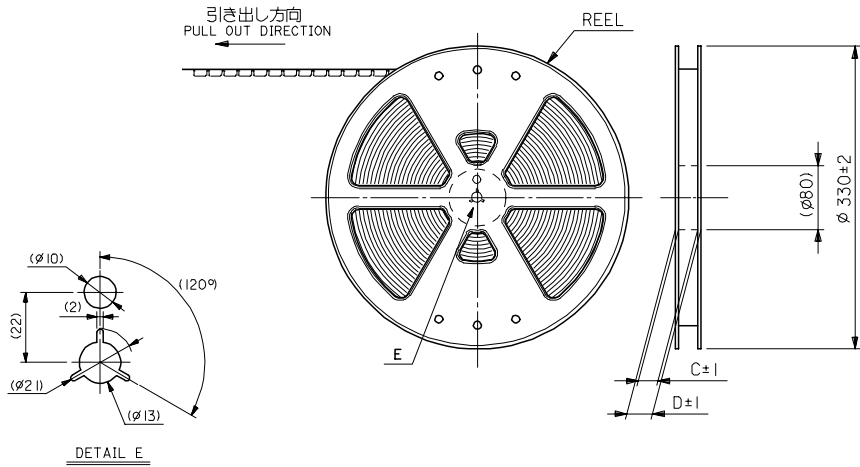
C

B

A

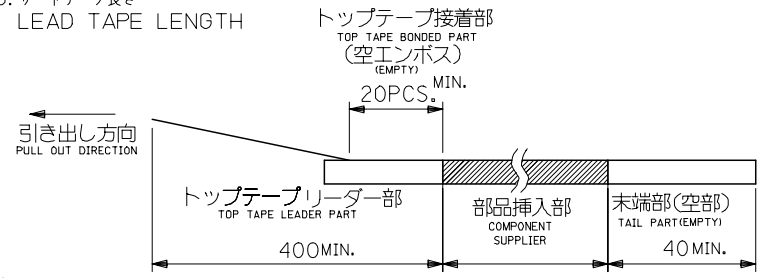


RELEASED EC NO: J2007-2662 DRW: H.YAJIMA 2007/05/09 CHK: K.KASAHARA 2007/05/11 APPR: NUKITA 2007/05/14	GENERAL TOLERANCES (UNLESS SPECIFIED)		DIMENSION STYLE MM ONLY		SCALE ---	DESIGN UNITS METRIC	THIRD ANGLE PROJECTION	
	10 UNDER	±0.2	DRAWN BY H. YAJIMA		DATE 2007/03/20		TITLE 0.8 B/B CONN.WAFER ASSY ST SMT -LEAD FREE-	
	10 OVER 30 UNDER	±0.25	CHECKED BY K. KASAHARA		DATE 2007/03/20		MOLEX INCORPORATED DOCUMENT NO. SD-53307-022 SHEET NO. 2 OF 2	
	30 OVER	±0.3	APPROVED BY N. UKITA		DATE 2007/03/20			
	ANGULAR ±3 °		DRAFT WHERE APPLICABLE MUST REMAIN WITHIN DIMENSIONS		MATERIAL NO. SEE SHEET 1 OF 2			



NOTES: 1. 製品詳細寸法については製品単体図面SD-53307-022を参照下さい。
 RE DETAILED DIMENSION, SEE PRODUCT DRAWING NO. SD-53307-022

- 2. 梱包数量: 1000/リール
 THE NUMBER OF PACKAGED CONNECTORS : 1000 PIECES/REEL
- 3. リードテープ長さ
 LEAD TAPE LENGTH



- 4. 材料
 MATERIAL
 キャリアテープ: ポリプロピレン (PP)
 CARRIER TAPE : POLYPROPYLENE (PP)
 トップテープ: PET, PE, PEF
 TOP TAPE : PET, PE, PEF
 リール: ポリスチレン (PP) <リサイクル材含む>
 REEL : POLYSTYRENE (PP)
 <RECYCLE MATERIAL CONTAINED>

RELEASED EC NO: J2007-2662 DRW: H.YAJIMA 2007/05/09 CHK: K.KASAHARA 2007/05/11 APPR: NUKITA 2007/05/14	GENERAL TOLERANCES (UNLESS SPECIFIED)		DIMENSION STYLE MM ONLY		SCALE ---	DESIGN UNITS METRIC	THIRD ANGLE PROJECTION	
	10 UNDER	± ---	DRAWN BY H. YAJIMA	DATE 2007/03/20	TITLE 0.8 B-T0-B WAFER ASSY SMT EMBSTP PKG -LEAD FREE-			
	10 OVER 30 UNDER	± ---	CHECKED BY K. KASAHARA	DATE 2007/03/20				
	30 OVER	± ---	APPROVED BY N. UKITA	DATE 2007/03/20	MOLEX INCORPORATED			
	ANGULAR	±3 °	MATERIAL NO.	DOCUMENT NO.				
DRAFT WHERE APPLICABLE MUST REMAIN WITHIN DIMENSIONS		SEE CHART		SD-53307-023		1 OF 2		

10 9 8 7 6 5 4 3 2 1

F F

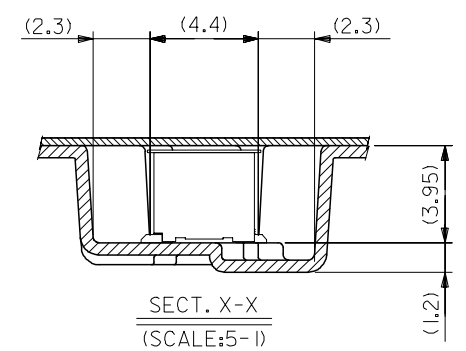
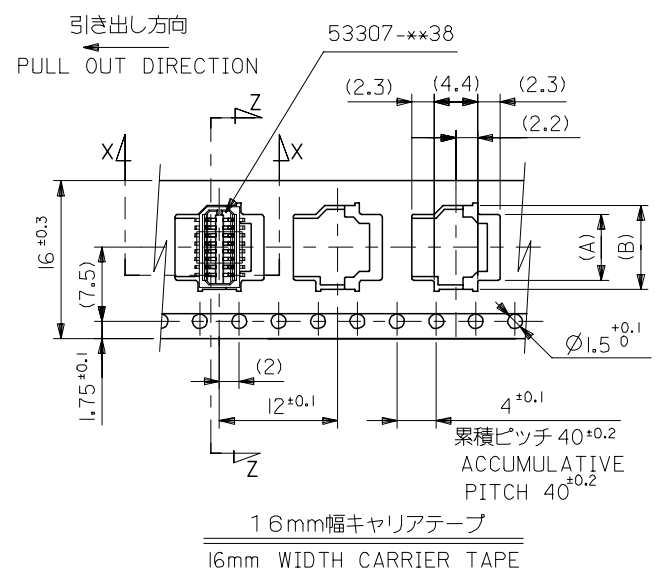
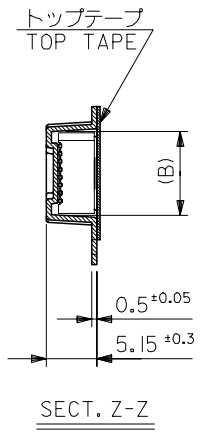
E E

D D

C C

B B

A A



16	21.4	17.4	6.1	4.3	53307-1038	53307-1032	10	53307-**-**32
キャリアテープ幅 CARRIER TAPE WIDTH	D	C	(B)	(A)	コネクタ単体 CONNECTOR	エンボス梱包 MATERIAL NO.	極数 CKT	MODEL NO.

RELEASED EC NO: J2007-2662 DRW: H.YAJIMA 2007/05/09 CHK: K.KASAHARA 2007/05/11 APPR: N.UKITA 2007/05/14	GENERAL TOLERANCES (UNLESS SPECIFIED)		DIMENSION STYLE MM ONLY		SCALE ---	DESIGN UNITS METRIC	THIRD ANGLE PROJECTION	
	10 UNDER	± ---	DRAWN BY H. YAJIMA	DATE 2007/03/20	TITLE 0.8 B-T0-B WAFER ASSY SMT EMBSTP PKG -LEAD FREE-			
	10 OVER 30 UNDER	± ---	CHECKED BY K. KASAHARA	DATE 2007/03/20	MOLEX INCORPORATED			
	30 OVER	± ---	APPROVED BY N. UKITA	DATE 2007/03/20	DOCUMENT NO. SD-53307-023			
	ANGULAR ±3 °		MATERIAL NO. SEE CHART		SHEET NO. 2 OF 2			
0	DESCRIPTION	DRAFT WHERE APPLICABLE MUST REMAIN WITHIN DIMENSIONS		THIS DRAWING CONTAINS INFORMATION THAT IS PROPRIETARY TO MOLEX INCORPORATED AND SHOULD NOT BE USED WITHOUT WRITTEN PERMISSION				

9 8 7 6 5 4 3 2 EN-02JA(021)