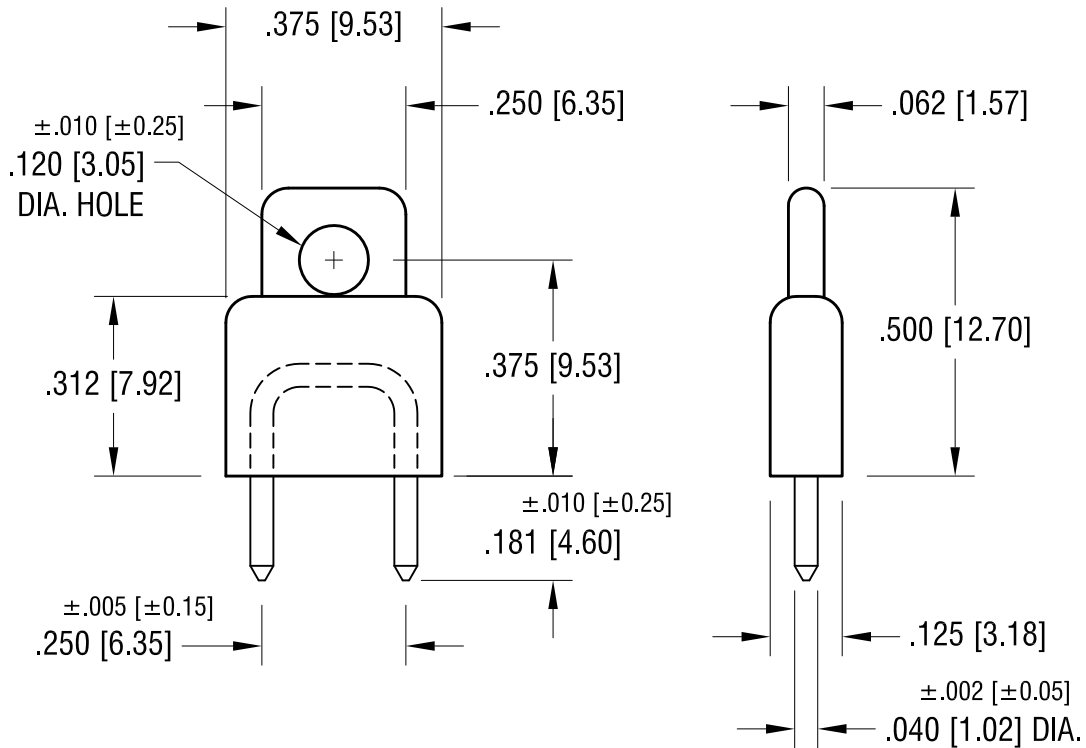
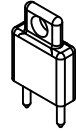


THIS DOCUMENT IS THE PROPERTY OF  
KEYSTONE ELECTRONICS CORP. AND  
SHALL NOT BE REPRODUCED, DISTRIBUTED  
OR USED AS A BASIS FOR MANUFACTURE  
WITHOUT PRIOR WRITTEN PERMISSION  
FROM KEYSTONE ELECTRONICS CORP.

**ACTUAL SIZE**



**NOTES:**

1. BODY:  
MAT'L - POLYPROPYLENE

PIN:  
MAT'L -BRASS  
FINISH - GOLD FLASH

PART NO.	COLOR
1461R	RED
1461B	BLACK
1461L	BLUE

DATE	DESCRIPTION	REV.
1.06.14	CHANGE AS PER ECN 14-007	B
11.28.07	CHANGE AS PER ECN 07-083	A

<b>KEYSTONE ELECTRONICS CORP.</b>			
www.keyelco.com • ASTORIA, N.Y. 11105-2017 • Tel (718) 956-8900			
PART NAME			
INSULATED SHORTING PIN			
MATERIAL			
AS NOTED			
FINISH		DRN BY	DATE
AS NOTED		BOONE	3.1.07
		APP'D	SCALE
		LN	3X
TOLERANCES	INCH [MM]	CODE	DWG NO.
DECIMAL	$\pm .015$ [ $\pm 0.38$ ]	C	<b>1461-</b>
ANGULAR	$\pm 1^\circ$		
UNLESS OTHERWISE SPECIFIED			