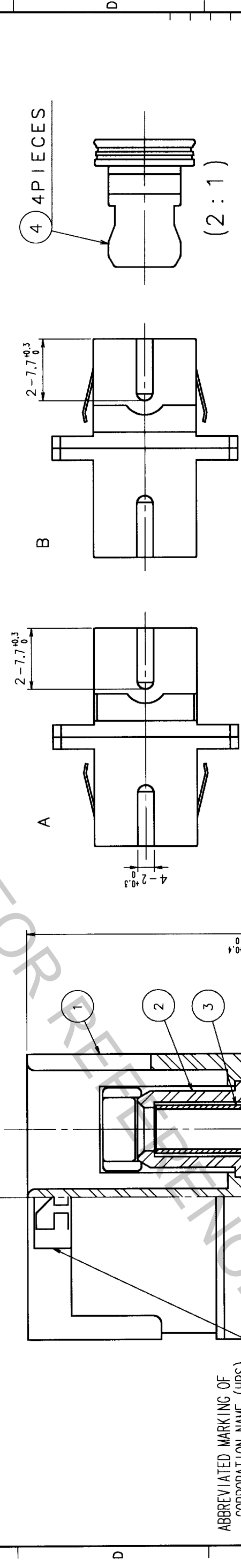
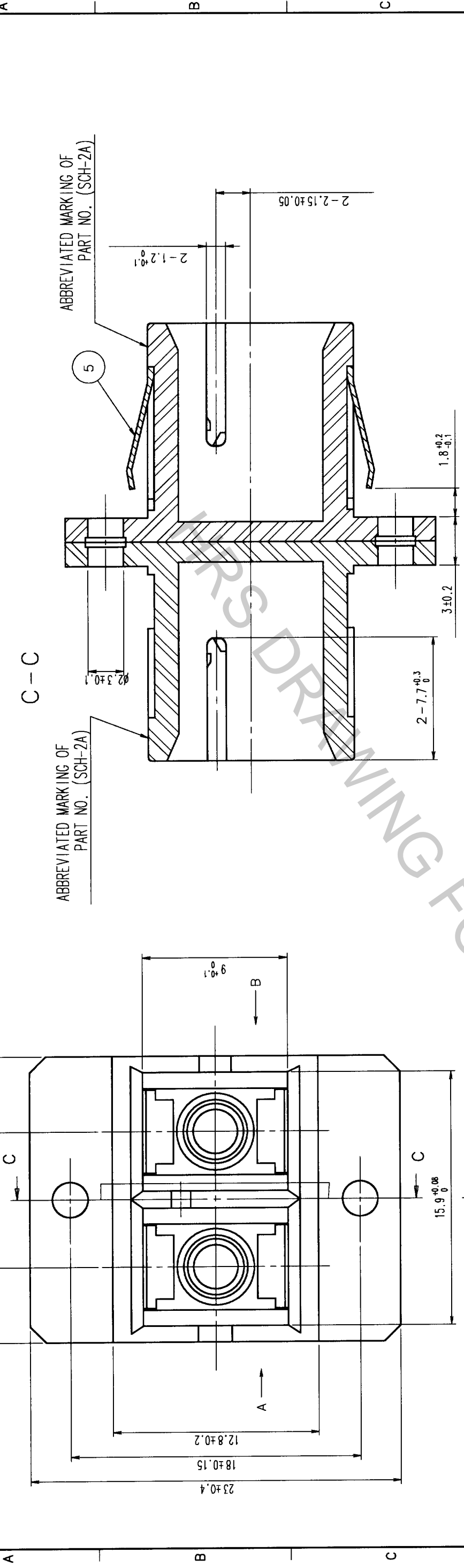


COUNT	DESCRIPTION OF REVISIONS	BY	CHKD	DATE	COUNT	DESCRIPTION OF REVISIONS	BY	CHKD	DATE



NOTE 1. Delivered with cap installed.

NO.	MATERIAL	FINISH	REMARKS	NO.	MATERIAL	FINISH	REMARKS
3	ZIRCONIA			5	STAINLESS STEEL		
2	SYNTHETIC RESIN	BLUE		4	SYNTHETIC RESIN	BLACK	
1	SYNTHETIC RESIN	GREEN					

CODE NO. (OLD)	DRAWN	DESIGNED	CHECKED	APPROVED	RELEASED
	T. Ito	F. Yoshida	S. Arima	H. Nagai	
	01.02.05	01.02.05	01.2.05	01.2.05	01.2.08

DRAWING NO.	PART NO.
EDC3-172419-01	HSCCH-2A-D2 (P) (03)

SCALE	UNITS
4 : 1	mm

CODE NO.	FORM NO.
CL704-2108-0-03	8 FORM NO. 229

TO	
----	--