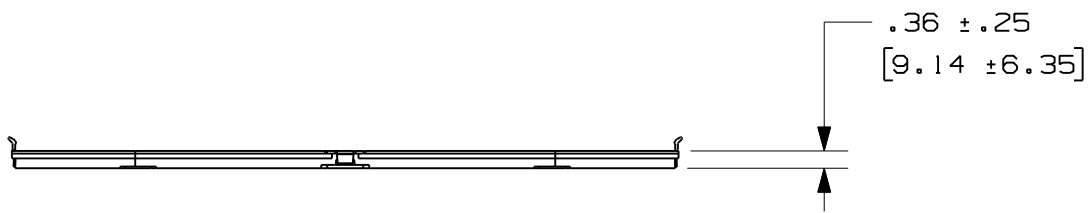
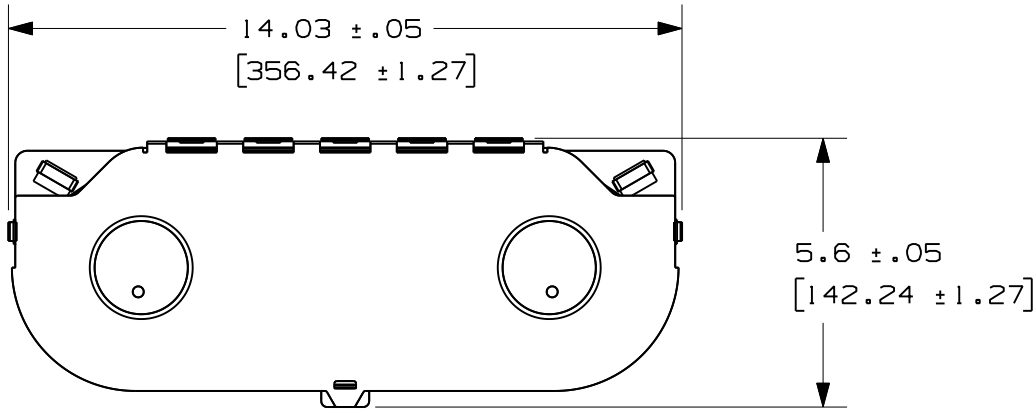
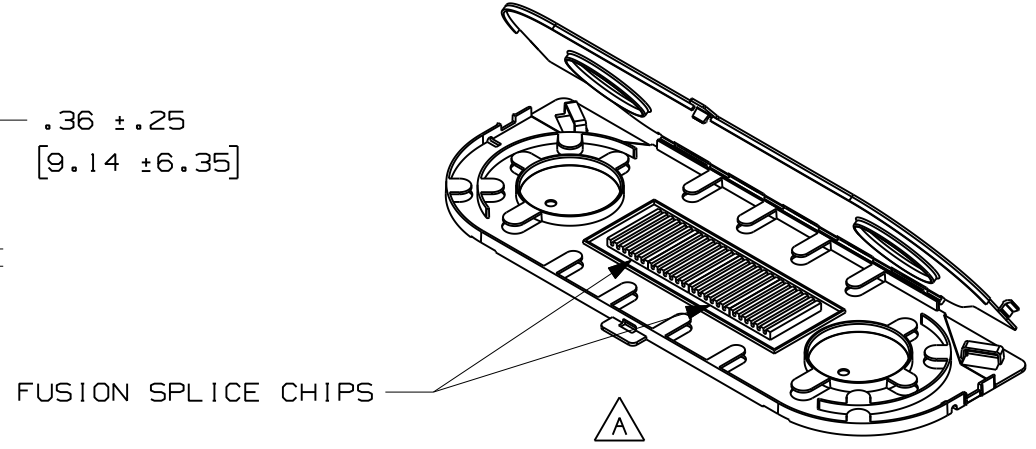


THIS COPY IS PROVIDED ON A RESTRICTED BASIS AND IS NOT TO BE USED IN ANY WAY DETRIMENTAL TO THE INTERESTS OF PANDUIT CORP.



PANDUIT PART NO.	WEIGHT
FOSMF	0.5 LBS/EACH 0.23 Kg/EACH

- SUPPLIED COMPONENTS:  
 1. (4) FUSION SPLICE CHIPS  
 2. (1) 24-PORT GRID LABEL



										MODEL FILENAME		V10422AT_SPLICETRAY_ASSY_13.PRT		
										CAD FILENAME/LAYERS		V10422AT_DC_13A.PRT		
										<h1>PANDUIT</h1> CORP. TINLEY PARK, ILLINOIS FIBER OPTIC SPLICE MODULE - FUSION (FOSMF) CUSTOMER DRAWING				
										UNLESS OTHERWISE SPECIFIED, DIMENSIONAL TOLERANCES ARE:		UNLESS OTHERWISE SPECIFIED, ALL DIMENSIONS ARE GIVEN IN INCHES, THIRD ANGLE PROJECTION.		
										INCHES		[METRIC - MILLIMETER]		
										X.X +/- 0.03		X. +/- 0.8		
										X.XX +/- 0.015		X.X +/- 0.4		
										X.XXX +/- 0.005		X.XX +/- 0.13		
										ANGLE		+/- 1°		
13A	6-6-07	MAV		A. UPDATED GEOMETRY & CAD REVISION	10422-41					DRAWN BY	MAT'L:		SCALE	
00	11-6-07	MAV	TCB	RELEASED	10422-41					MAV	SEE NOTES		NONE	
REV	DATE	BY	CHK	DESCRIPTION	ECN	R	CUST	SUP	OTH	DATE			DRAWING NO.	
										11-6-07	10422-41		A	
										CHK'D			SIZE	
										TCB			A	