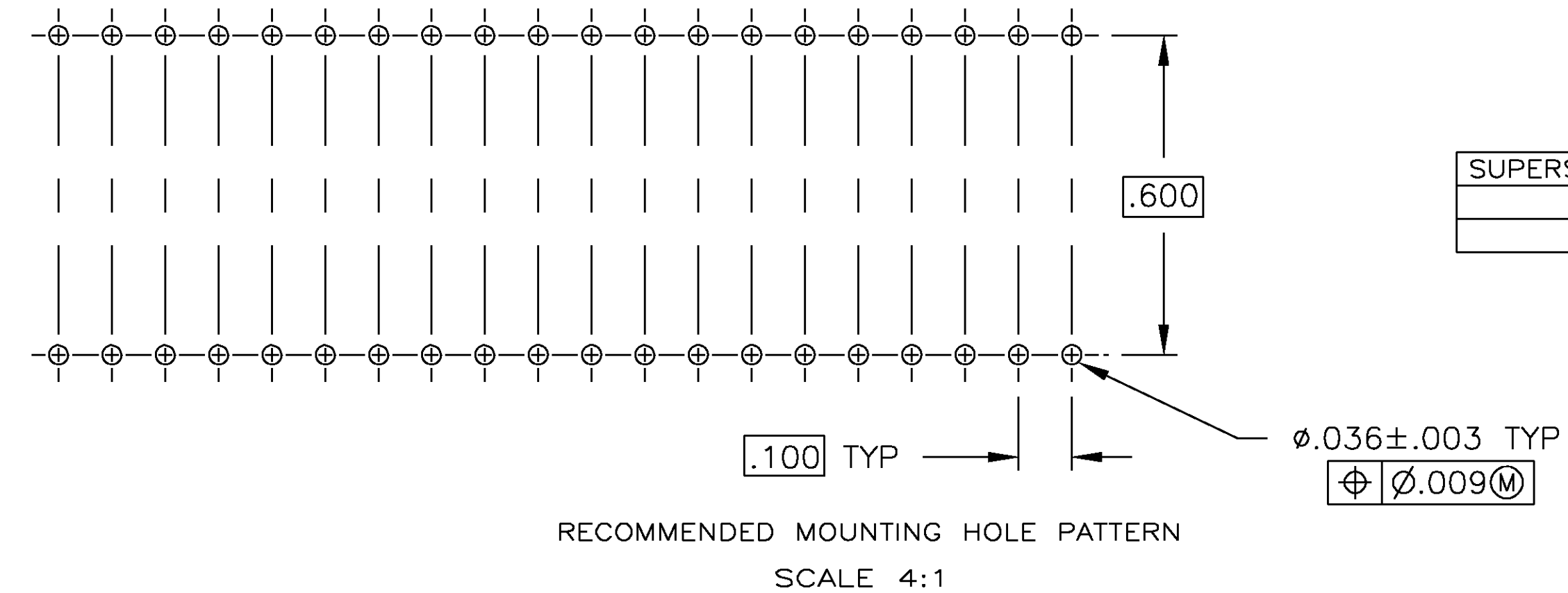
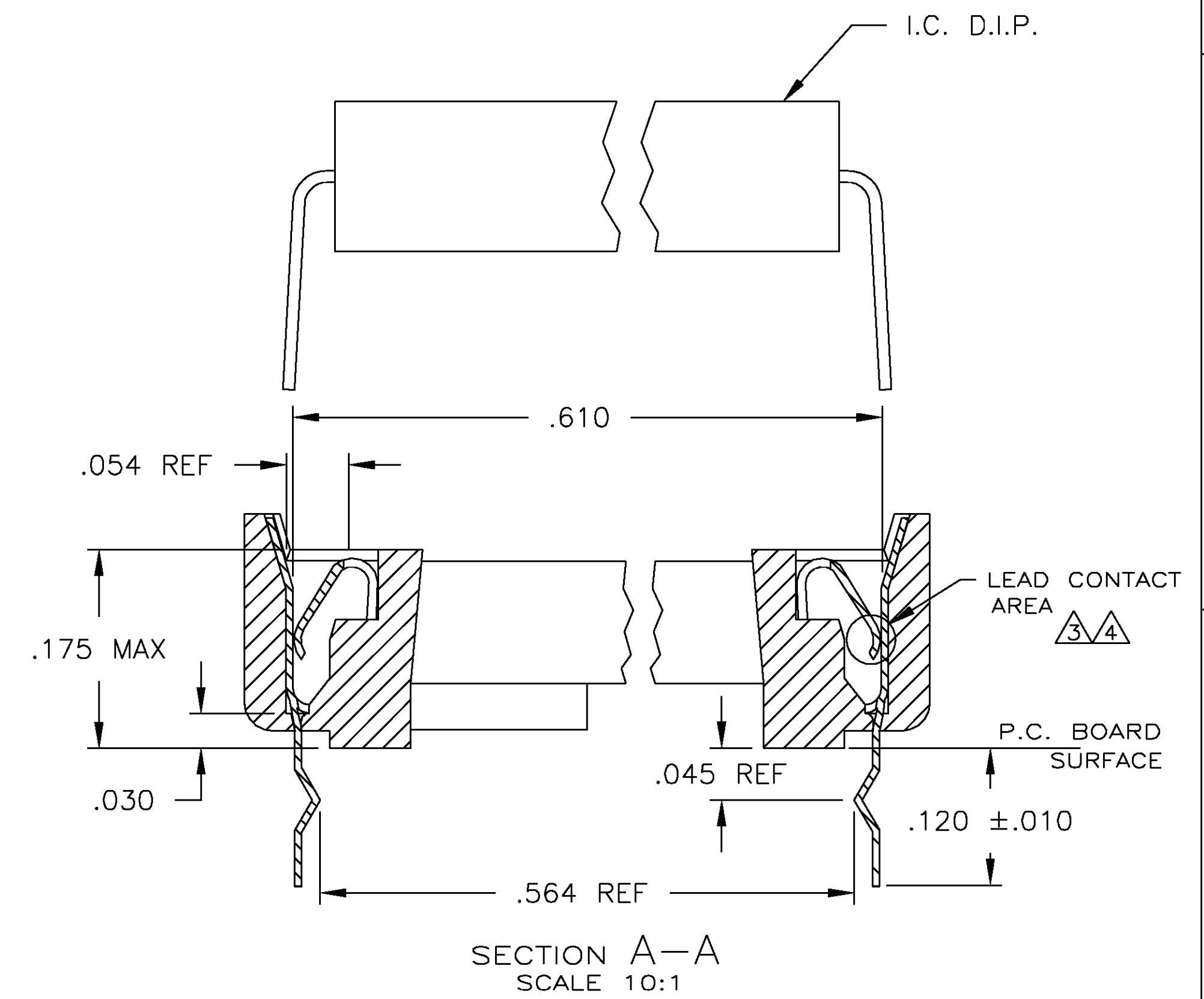
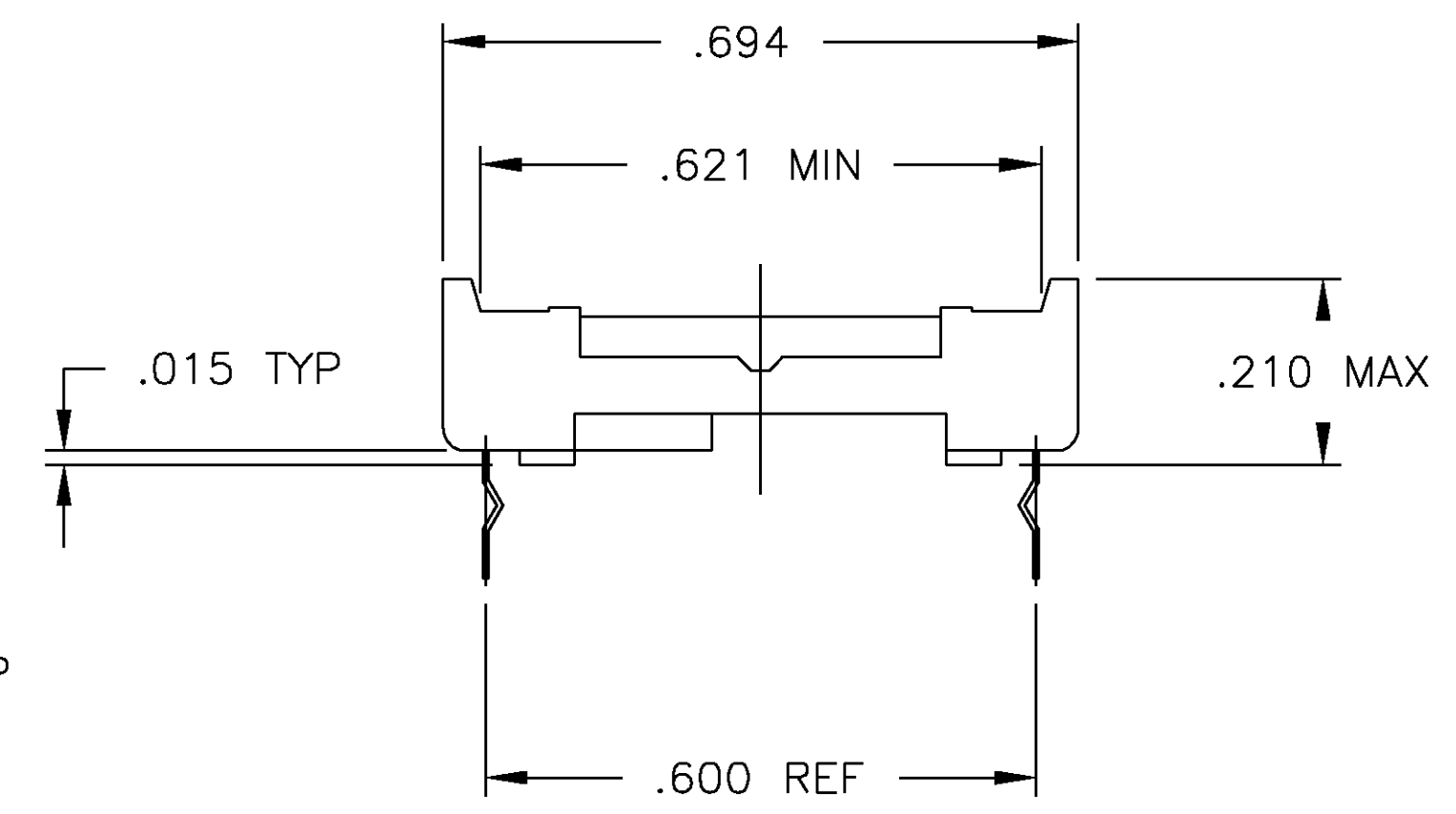
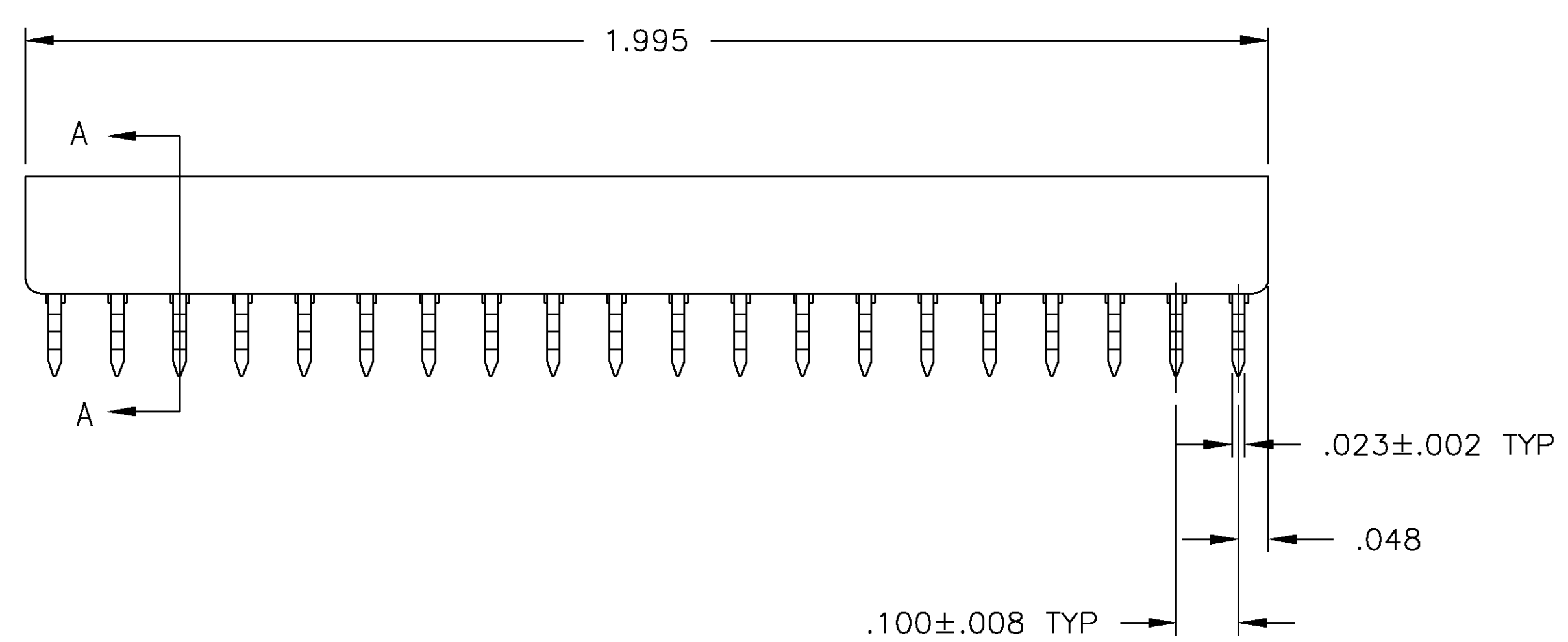
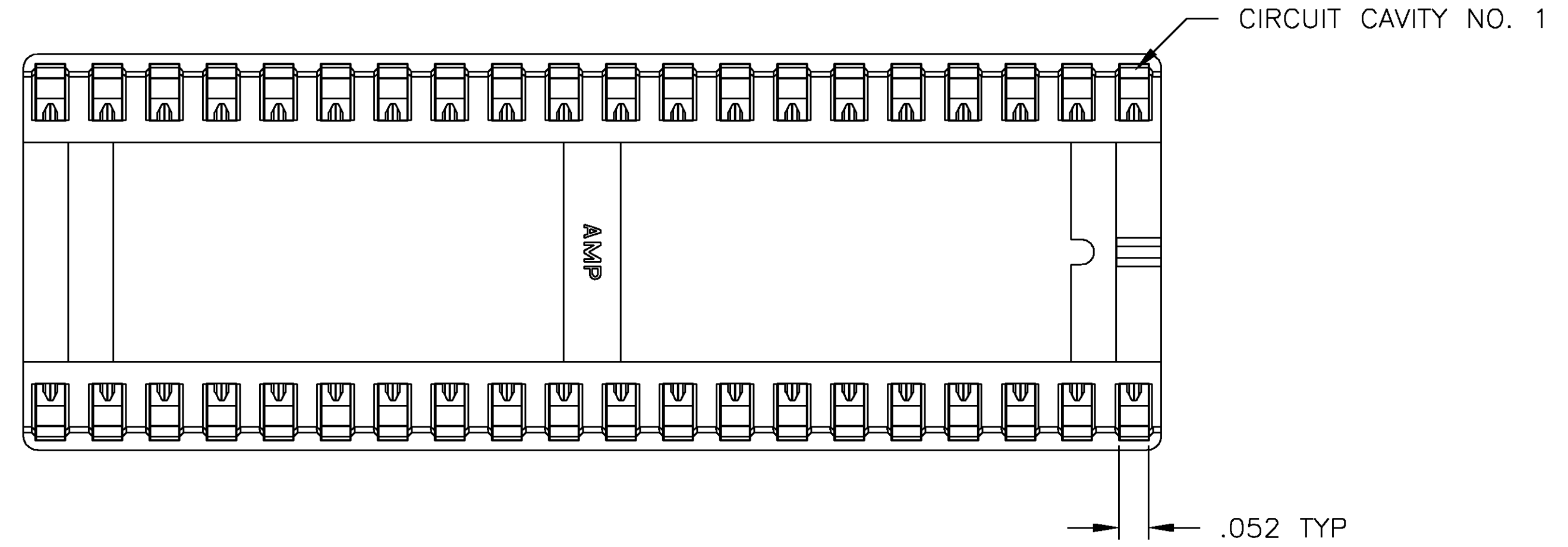


- RECEPTACLE ACCEPTS A .008-.014 THICK I.C. LEAD.
 - TUBE LOADED FOR AUTOMATIC INSERTION.
- ⚠ TWO .000030 MIN THK. GOLD STRIPES IN CONTACT AREA WITH TIN-LEAD (93/7) ON CONTACT LEGS, BALANCE OF CONTACT NICKEL PLATED.
 - ⚠ TWO .000015 MIN THK. GOLD STRIPES IN CONTACT AREA WITH TIN-LEAD (93/7) ON CONTACT LEGS, BALANCE OF CONTACT NICKEL PLATED.



SUPERSEDED BY 2-641616-3	TINNED	PHOS.BRZ. .006 THK	GLASS-FILLED THERMOPLASTIC, 94V-O, BLACK	2-641616-5
OBSOLETE	⚠	PHOS.BRZ. .006 THK	GLASS-FILLED THERMOPLASTIC, 94V-O, BLACK	2-641616-4
OBSOLETE	TINNED	PHOS.BRZ. .006 THK	GLASS-FILLED THERMOPLASTIC, 94V-O, BLACK	2-641616-3
	⚠	BE.CU. .006 THK	GLASS-FILLED THERMOPLASTIC, 94V-O, BLACK	2-641616-2
	TINNED	BE.CU. .006 THK	GLASS-FILLED THERMOPLASTIC, 94V-O, BLACK	2-641616-1
	CONTACT FINISH	CONTACT MAT'L	HOUSING MATERIAL	PART NO.

THIS DRAWING IS A CONTROLLED DOCUMENT.

DIMENSIONS: INCHES	TOLERANCES UNLESS OTHERWISE SPECIFIED:	DWG: R BROWN	09JAN01
0 PLC ± -	1 PLC ± -	CHK: H WYNKOOP	29AUG00
2 PLC ± -	3 PLC ± .005	APP'D: H WYNKOOP	29AUG00
4 PLC ± -	ANGLES ± -	NAME: SOCKET ASSY, DIP, LADDER, RET LEG, 40 POS, DIPLOMATE™ DL	
MATERIAL: SEE TABLE	FINISH: SEE TABLE	SIZE: A1	CAGE CODE: 00779
		DRAWING NO: 641616	RESTRICTED TO: -
		WEIGHT: -	SCALE: 5:1
		CUSTOMER DRAWING	SHEET 1 OF 1

AMP Tyco Electronics Corporation
Harrisburg, PA 17105