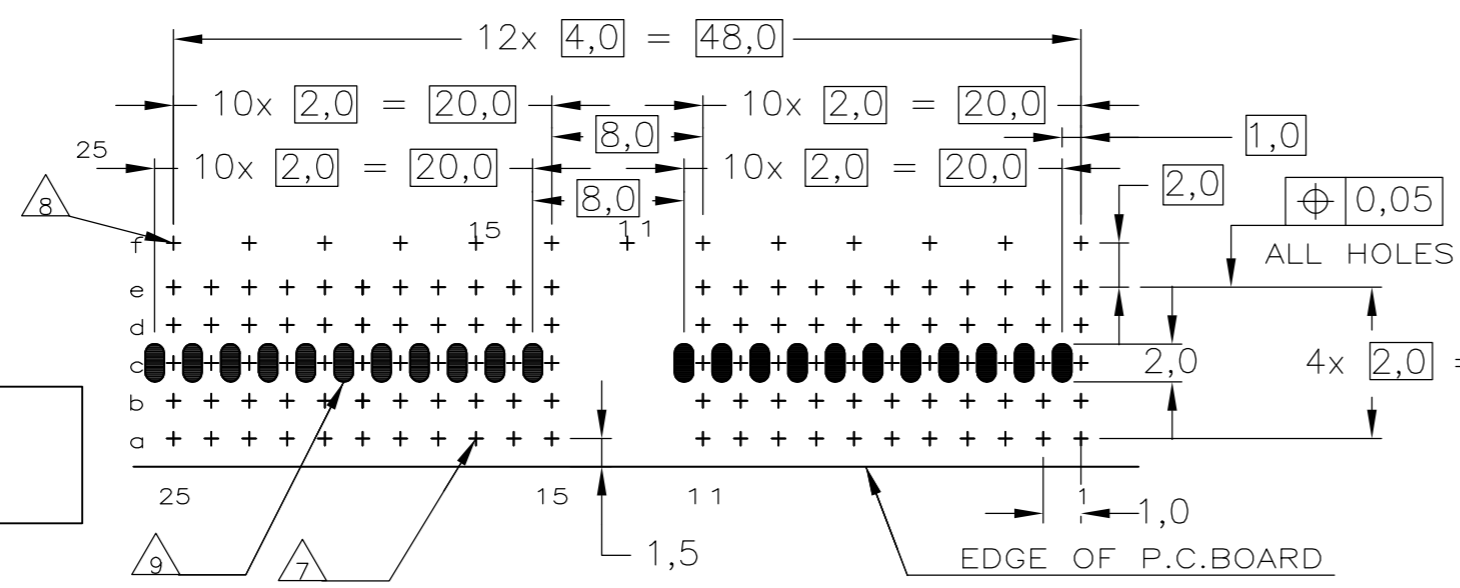
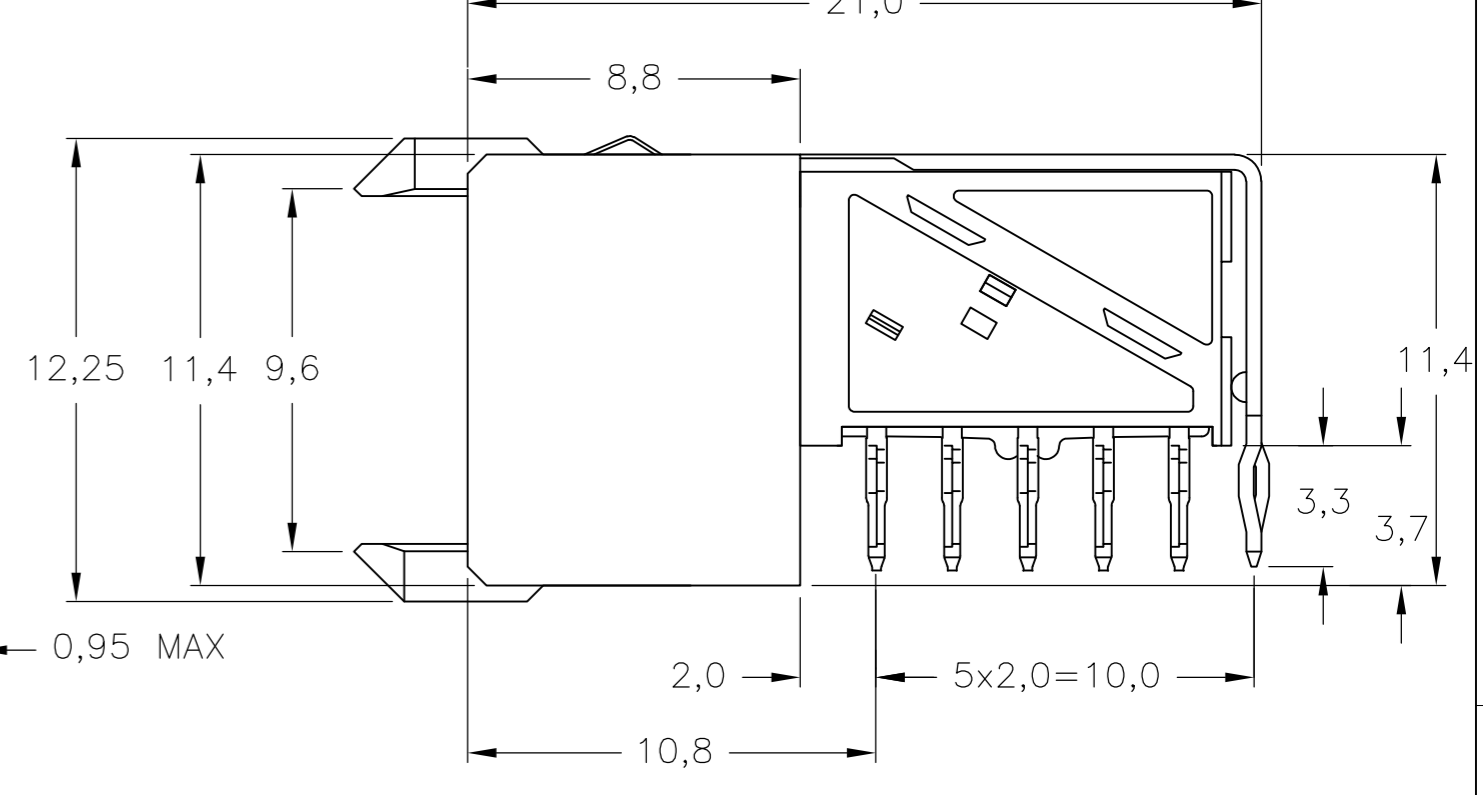
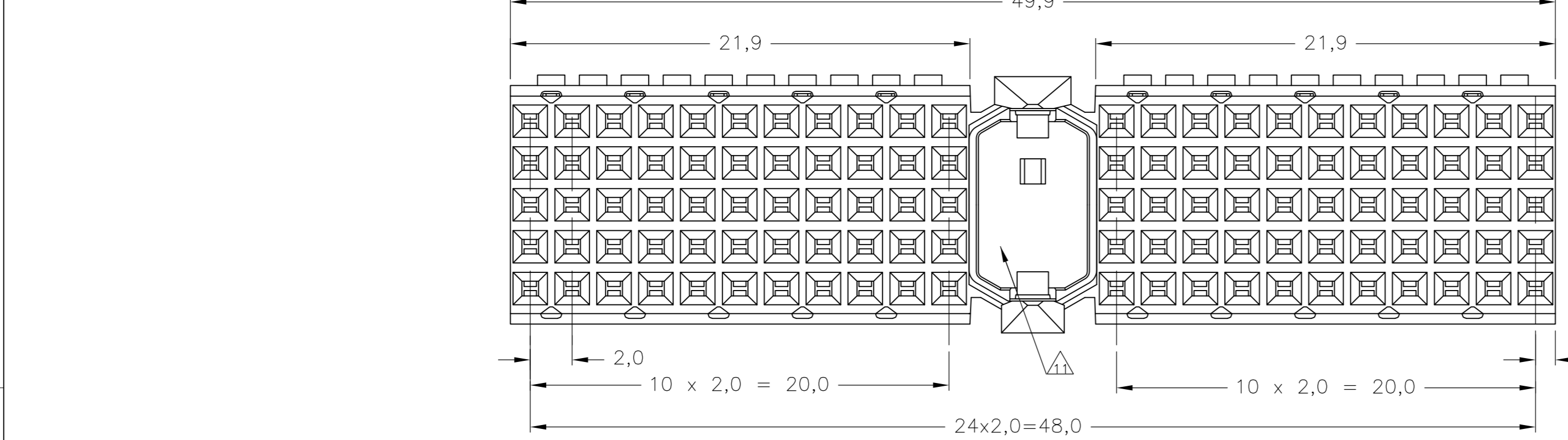
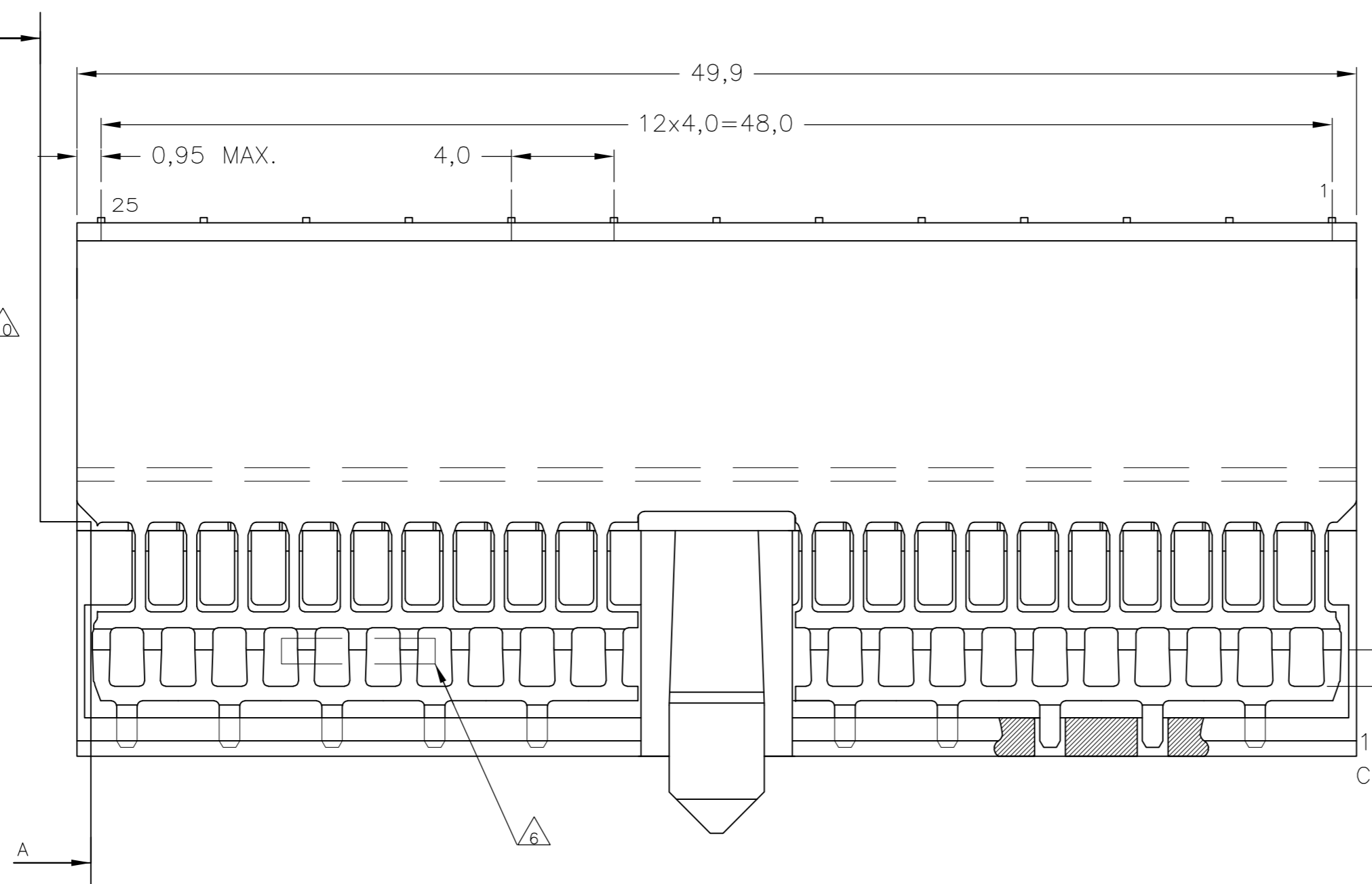
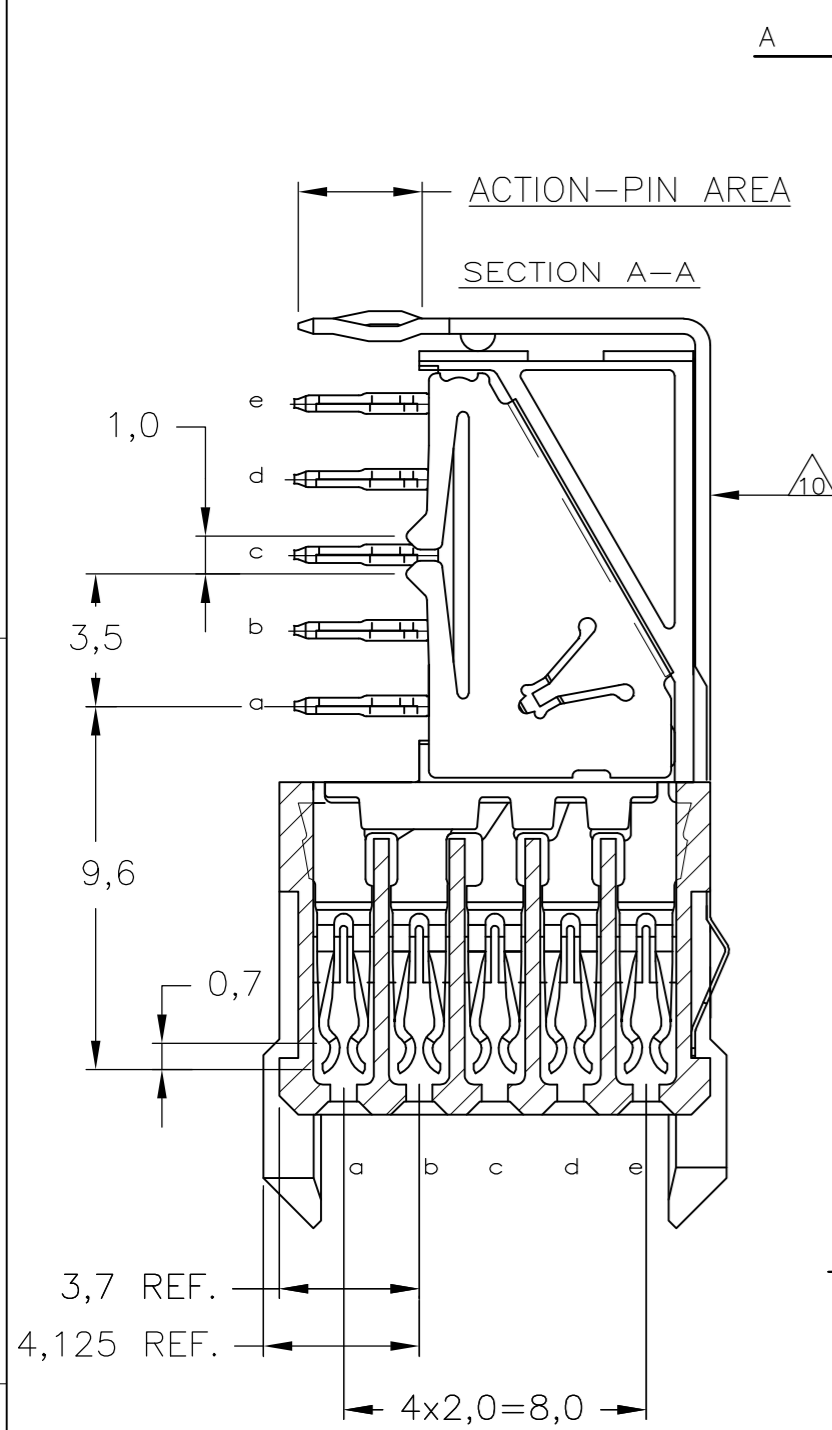


THIS DRAWING IS UNPUBLISHED. RELEASED FOR PUBLICATION  
 © COPYRIGHT BY TYCO ELECTRONICS CORPORATION. ALL RIGHTS RESERVED.

LOC		DIST		REVISIONS			
P	LTR	DESCRIPTION	DATE	DWN	APVD		
C2		ECR-07-030919	21DEC2007	JvH	BM		
C3		REVISED PER ECO-10-000444	04NOV09	KK	AEG		
D		ECR-10-018652	10SEP10	SW	MQW		

NOTES:

- 1 MATERIAL CONTACTS; PHOSPHORBRONZE  
MATERIAL SHIELDS: PHOSPHORBRONZE  
MATERIAL HOUSING; GLASSFILLED POLYESTER (GRAY)
- 2 GENERAL CONTACT PLATING SPECIFICATION: UNDERPLATING (ENTIRE CONTACT):  
1,27µm NICKEL MIN. AND ACTION PIN: 0,5µm TIN MIN.  
FOR PLATING OF MATING SURFACES SEE APPLICABLE SPECIFICATION  
REFERENCE FOR EACH DASH NUMBER.
- 3 CONFORMS TO ALL TESTING ACCORDING IEC 61076-4-101  
PERFORMANCE LEVEL 2.
- 4 CONFORMS TO ALL TESTING ACCORDING IEC 61076-4-101  
PERFORMANCE LEVEL 1.
- 5 PLATING SHIELDS :  
GROUND RETURN SHIELD:  
CONTACT AREA: 0,76µm Au MIN.  
ACTION PIN : 0,5µm Sn MIN.  
REMAINDER : Ni  
REDUCED CROSS-TALK SHIELD: GOLD FLASH OVER 1,27 µm NICKEL MIN.
- 6 ASS. PRINTED WITH P/N AND DATECODE  
THE MARKING CAN APPEAR ON THE FRONT SIDE OR  
ON THE BACK SIDE.
- 7 HOLE PATTERN FOR FEMALE CONNECTOR TYPE A.  
110 PLATED-THROUGH HOLES AT 2X2mm SQUARE GRID.
- 8 ROW "f" 13 PLATED THROUGH HOLES FOR  
UPPERSHIELD
- 9 PLATED SPOT ONLY ON COMPONENT SIDE, FORMING  
ONE CONTACT WITH PLATED THROUGH HOLES OF ROW C
- 10 SHIELD MOUNTED ON CONNECTOR WITH DOUBLE  
SIDED ADHESIVE TAPE OR ADHESIVE
- 11 AREA RESERVED FOR KEYING PART  
(BASIC P.N. 100526)
- 12 BASIC P.N. LOWERSHIELD: 5338108
- 13 OBSOLETE PARTS: OBSOLETE CIS STREAMLINING PER D.RENAUD/D.SINISI



RECOMMENDED P.C.B. HOLE LAY-OUT  
 COMPONENT SIDE AS SHOWN  
 SCALE 2,5:1

P.C.B. HOLE DIM. ACTION PIN  
 FOR DETAILS SEE  
 APPLICATION SPECIFICATION

THIS DRAWING IS A CONTROLLED DOCUMENT.		DWN	24AUG2004	Tyco Electronics Corporation	
		CHK	22MAR2005	's-Hertogenbosch, Nederland	
		APVD	22MAR2005	NAME	
		PRODUCT SPEC		Z-PACK 2mm HM	
		APPLICATION SPEC	108-19082	TYPE A PRE-SHIELDED RECEPTACLE	
		WEIGHT	114-19029	WITH RED.CROSS-TALK SHIELDS	
		RESTRICTED CUSTOMER		SIZE	RESTRICTED TO
				CAGE CODE	
				DRAWING NO	
				C=5352344	
				SCALE	SHEET
				5:1	1 of 1
				REV	D