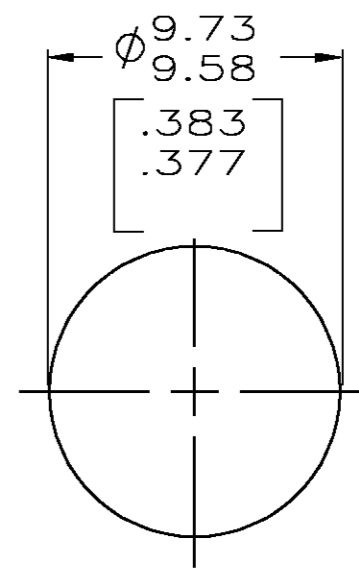
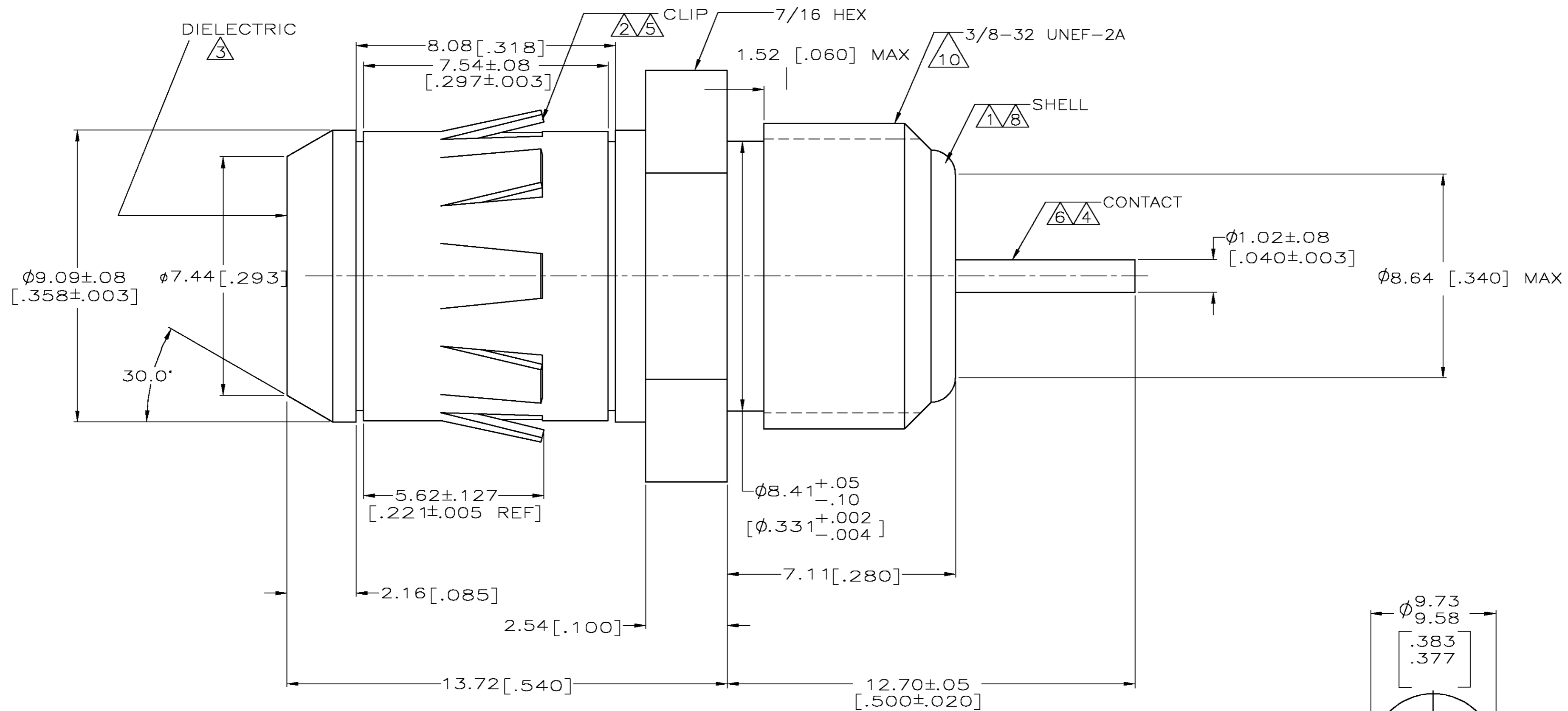


THIS DRAWING IS UNPUBLISHED. RELEASED FOR PUBLICATION
 © COPYRIGHT BY TYCO ELECTRONICS CORPORATION. ALL RIGHTS RESERVED.

LOC	DIST	REVISIONS					
AJ	16	P	LTR	DESCRIPTION	DATE	DWN	APVD
		B		PER EC OS14-0179-04	15NOV04	D5	KW



SCALE 4:1
RECOMMENDED PANEL CUTOUT

- ① BRASS PER ASTM-B-16.
- ② BERYLLIUM COPPER PER ASTM-B-196.
- ③ PTFE PER MIL-P-19468.
- ④ BRIGHT TIN PER MIL-T-10727, TYPE 1
3.81 μm [.000150] MINIMUM THICK.
- ⑤ TIN PER ASTM-B-545
2.54 μm [.000100] MINIMUM THICK.
- ⑥ PHOSPHOR BRONZE PER QQ-B-750.
- 7. CONNECTOR WILL ACCEPT CENTER CONDUCTOR
DIAMETER RANGE OF 0.76-1.07 [.030-.042].
- ⑧ BRIGHT NICKEL PER QQ-N-290,
3.81 μm [.000150] MINIMUM THICK.
- 9. CENTER CONDUCTOR ENTRY DEPTH TO FULL CURRENT
CARRYING CAPACITY SHALL BE 4.32 [.170] MAX.
- ⑩ MAJOR DIA MODIFIED TO .363 REF.

1274032-1
PART NO

THIS DRAWING IS A CONTROLLED DOCUMENT.		DWN S. BURKHOLDER 27APR08	Tyco Electronics Corporation Harrisburg, PA 17105-3608	
DIMENSIONS: INCHES		CHK K. WEIDNER 27APR08		
TOLERANCES UNLESS OTHERWISE SPECIFIED:		APVD S. BURKHOLDER 27APR08	NAME JACK, BULKHEAD, PCB, G SERIES	
0 PLC ± - 1 PLC ± - 2 PLC ± 0.25 [.010] 3 PLC ± - 4 PLC ± - ANGLES ± 5°		PRODUCT SPEC -	RESTRICTED TO -	
MATERIAL SEE NOTES 1-3, 6		FINISH SEE NOTES 4, 5, 8	WEIGHT -	SIZE A2
CUSTOMER DRAWING		SCALE 10:1	CAGE CODE 00779	DRAWING NO 1274032
		SHEET 1	OF 1	REV B