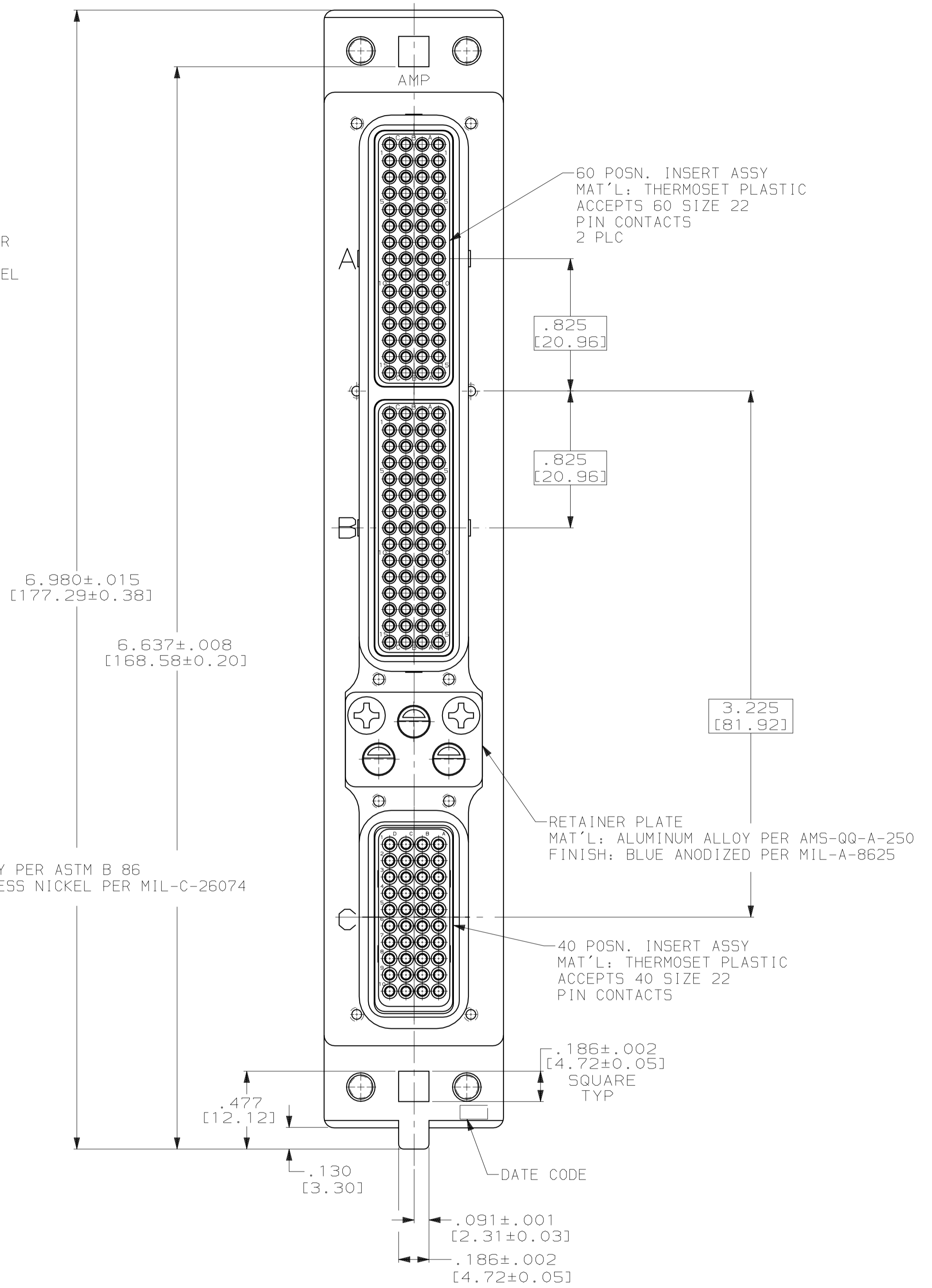
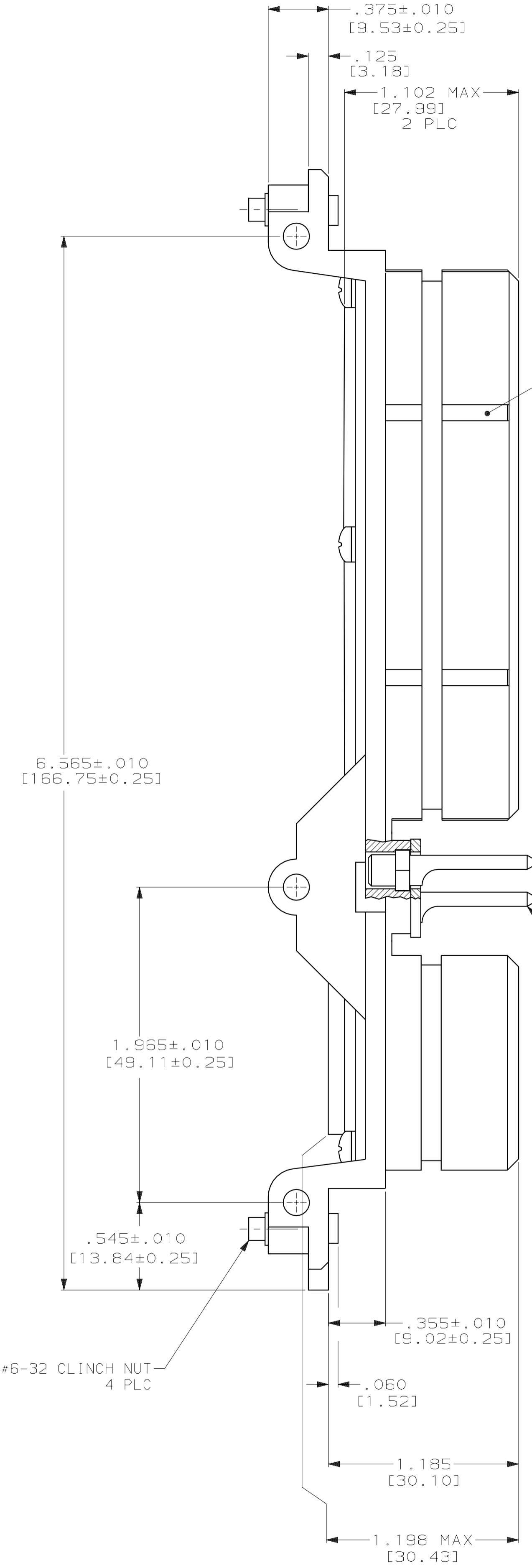
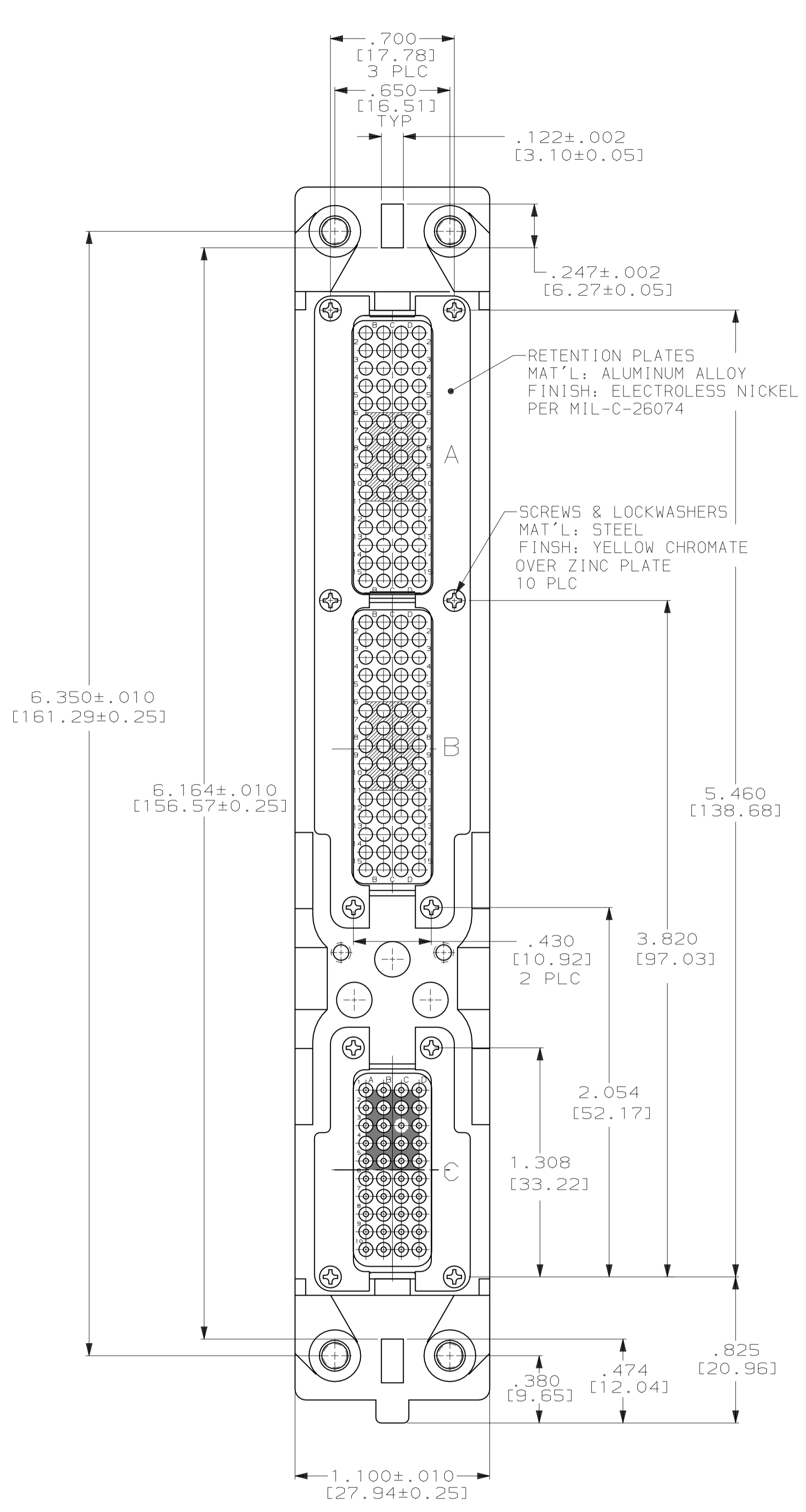


LOC		DIST		REVISIONS			
DF	AO	P	LFR	DESCRIPTION	DATE	DWN	APVD
		0		RELEASED	2-04	CT	SG



- CONNECTOR ASSEMBLED IN ACCORDANCE WITH ARINC 600 SPECIFICATION.
- KEYING SHOWN IN POSITION "01" FOR REFERENCE ONLY. CONNECTOR IS KEYED IN POSITION PER TABLE. FOR "00" KEYING, KEY HARDWARE PACKAGED UNASSEMBLED IN A SEPARATE CONTAINER.

"00"	NIC66FN15A00CB1	1757040-1
KEYING POSITION	DESCRIPTIVE NUMBER	PART NUMBER

THIS DRAWING IS A CONTROLLED DOCUMENT.		DWN C.C. THOMAS 2-10-04	tyco TYCO Electronics Harrisburg, PA 17105-3608	
DIMENSIONS: INCHES (mm)	TOLERANCES UNLESS OTHERWISE SPECIFIED:	CHK S. GLATFELTER 2-10-04	APVD S. GLATFELTER 2-10-04	
0 PLC ±-	1 PLC ±-	PRODUCT SPEC	PLUG ASSY, SIZE 1, ARINC 600	
2 PLC ±-	3 PLC ±-.005 (0.13)	APPLICATION SPEC	SIZE	CAGE CODE
4 PLC ±-	ANGLES ±-	WEIGHT	A1	00779
MATERIAL SEE CALLOUTS	FINISH SEE CALLOUTS	CUSTOMER DRAWING	SCALE	SHEET
			2:1	1 OF 1