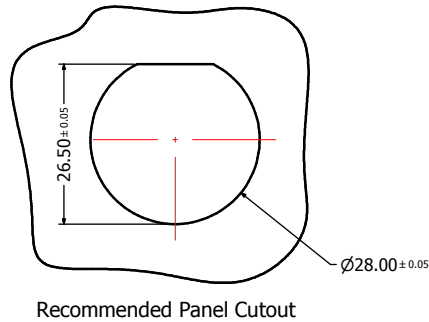
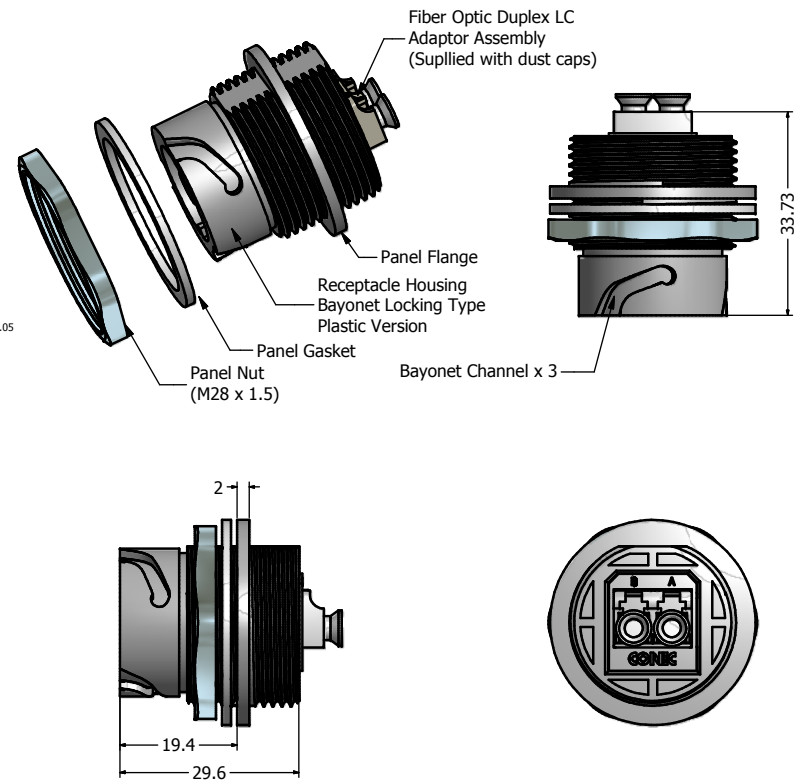
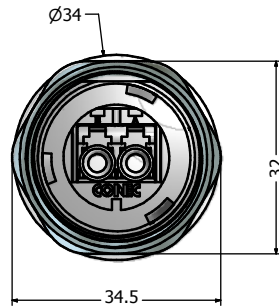


Protective Cover
Bayonet Locking Style
Plastic Version



Recommended Panel Cutout



Fiber Optic Duplex LC
Adaptor Assembly
(Supplied with dust caps)

Panel Flange
Receptacle Housing
Bayonet Locking Type
Plastic Version

Panel Nut
(M28 x 1.5)

Bayonet Channel x 3

Notes:

- Material and Finish:
 - Receptacle Housing, Protective Cover: Polyester (Black); UL94 V-0
 - Panel Nut: Brass, Finish: Nickel Plated
 - Panel Gasket: Silicon, Color: White
 - Cover Gasket: Silicon, Color: White
 - Tether: Polycarbonate, Color: Black

Duplex LC Adaptor Assembly:

- Housing: Mod. PPO, UL94 V-0, Color: **SM Blue/MM Beige/APC SM Green**
 - Alignment Sleeves: SM Ceramic/MM Phosphor Bronze
 - Dust Cap: PP, Color: Neutral transparent
 - Operating Temperature: -40~C to +85~C
- Connector can be front or rear mounted to a maximum panel thickness of 3.2mm.
 - IP67 rated when covered or fully mated with the appropriate mating connector

Directive 2002/95/EC RoHS Compliant

Description	Part Number
Plastic Duplex LC Single Mode Receptacle Assembly + Cover Assembly	17-300230
Plastic Duplex LC Multi Mode Receptacle Assembly + Cover Assembly	17-300240
Plastic Duplex LC APC Single Mode Receptacle Assembly + Cover Assembly	17-300250

THIS DRAWING MAY NOT BE COPIED OR REPRODUCED IN ANY WAY AND MAY NOT BE PASSED ON TO A THIRD PARTY WITHOUT WRITTEN PERMISSION. OWNERSHIP AND COPYRIGHT OF CONEC CORPORATION DOT NOT ALTER CAD DRAWING BY HAND	Customer:			Tolerance Unless otherwise specified 0 PLC ±0.30 1 PLC ±0.20 2 PLC ±0.10 3 PLC ±0.05 ANGLES ±1°		Scale: 1.5:1	Dim. in mm
	Name	Title	Approval Date			Material: See Notes	
						Title: IP67 Industrial Duplex LC Receptacle Assembly + Cover Assembly Plastic version	
	Rev.	Changes	Date			Name	Drawing No.: 17K1A217
						Part No.: SEE ABOVE TABLE	Sheet 1/1