

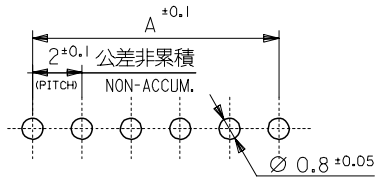
注記 NOTES

1. 嵌合相手: 51065 シリーズ  
MATE WITH: 51065 SERIES
2. 材質 MATERIAL  
ウエハー: 66ナイロン, UL94V-0  
WAFER: 66NYLON, UL94V-0  
ピン: 黄銅, 金メッキ  
PIN: BRASS, GOLD (Au) PLATING
3. キングは下記表の位置及び形状に付加のこと。2極はキング無し。  
KINK TO BE APPLIED AS FOLLOWS,  
2 CIRCUIT HAS NO KINK.

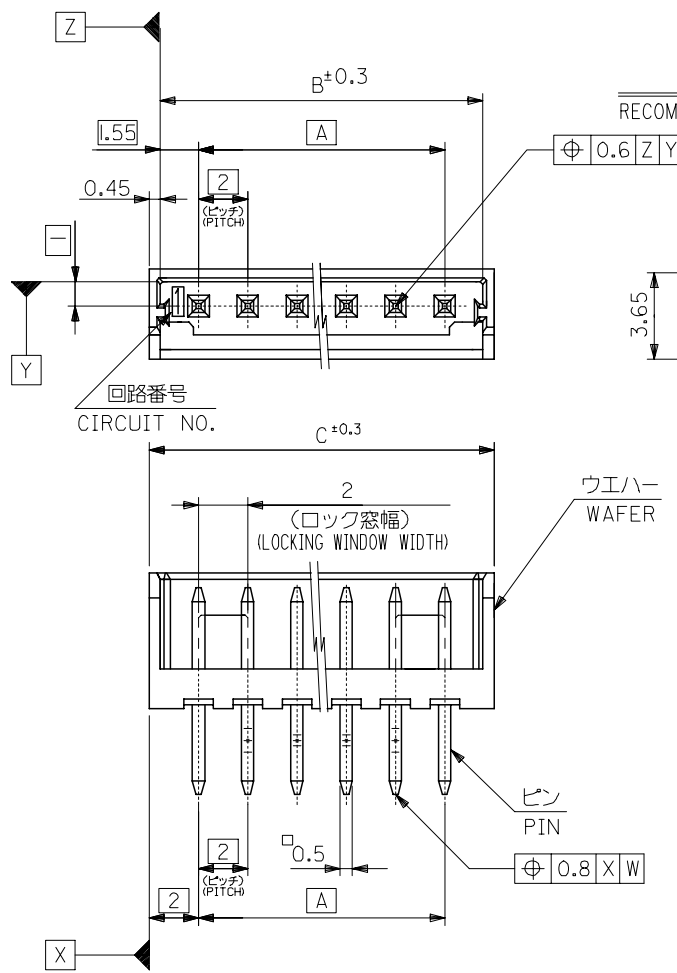
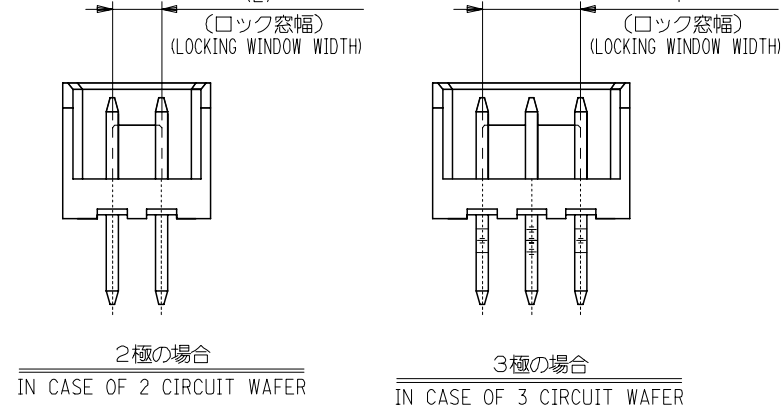
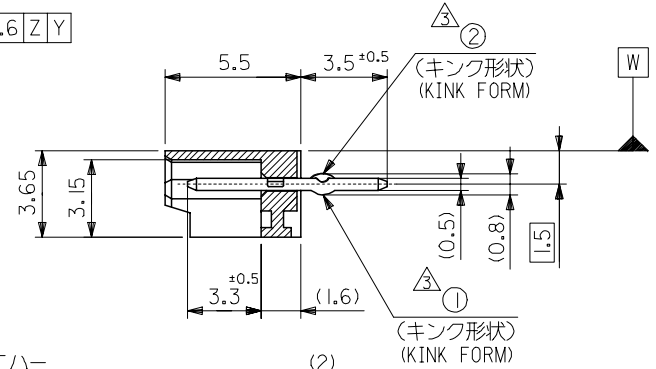
極数 CKT	回路番号 CKT NO.	回路番号							
		1	2	3	4	5	N-2	N-1	N
6 極以上	MORE THAN 6 CKT	—	①	②	—	—	②	①	—
5 極	5 CKT	①	②	—	②	①			
4 極	4 CKT	①	②	②	①				
3 極	3 CKT	①	②	①					

4. 本製品は、53253-\*\*70の金メッキ品です。  
THIS PRODUCT IS AU PLATING OF 53253-\*\*70.
5. 梱包仕様 PACKAGING  
502603-\*\*70 トレー TRAY  
502603-\*\*50 ポリ袋 POLYBAG

32	31.1	28	502603-1550	502603-1570	15
30	29.1	26	-1450	-1470	14
28	27.1	24	-1350	-1370	13
26	25.1	22	-1250	-1270	12
24	23.1	20	-1150	-1170	11
22	21.1	18	-1050	-1070	10
20	19.1	16	-0950	-0970	9
18	17.1	14	-0850	-0870	8
16	15.1	12	-0750	-0770	7
14	13.1	10	-0650	-0670	6
12	11.1	8	-0550	-0570	5
10	9.1	6	-0450	-0470	4
8	7.1	4	-0350	-0370	3
6	5.1	2	502603-0250	502603-0270	2
C	B	A	MATERIAL NO.	MATERIAL NO.	極数
			MODEL NO.	MODEL NO.	



基板取付穴寸法 (参考) (t=1.6)  
RECOMMENDED P.C. BOARD HOLE DIM. (REFERENCE)



RELEASED EC NO: J2007-2775 DRWN: MAEDA CHK: NUKITA APPR: NUKITA 2007/04/04 2007/04/06 2007/04/06	GENERAL TOLERANCES (UNLESS SPECIFIED)		DIMENSION STYLE MM ONLY		SCALE 5:1	DESIGN UNITS METRIC	THIRD ANGLE PROJECTION
	10 UNDER	±0.2	DRAWN BY YMAEDA	DATE 2007/03/30	TITLE NEW 2.0 WIRE TO BOARD CONN. WAFER ASSY (ST.) -LEAD FREE-		
	10 OVER 30 UNDER	±0.25	CHECKED BY KTOYOTA	DATE 2007/03/30			
	30 OVER	±0.3	APPROVED BY NUKITA	DATE 2007/03/30	MOLEX INCORPORATED DOCUMENT NO. SD-502603-001 SHEET NO. 1 OF 1		
	ANGULAR	±3 °	MATERIAL NO.				
DRAFT WHERE APPLICABLE MUST REMAIN WITHIN DIMENSIONS		SIZE A3	THIS DRAWING CONTAINS INFORMATION THAT IS PROPRIETARY TO MOLEX INCORPORATED AND SHOULD NOT BE USED WITHOUT WRITTEN PERMISSION				