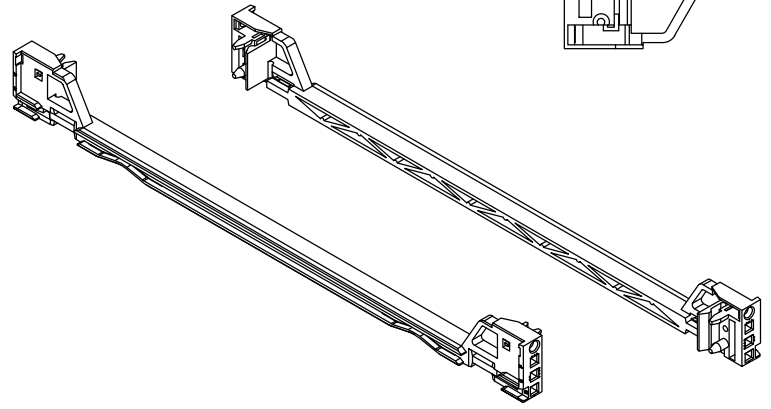
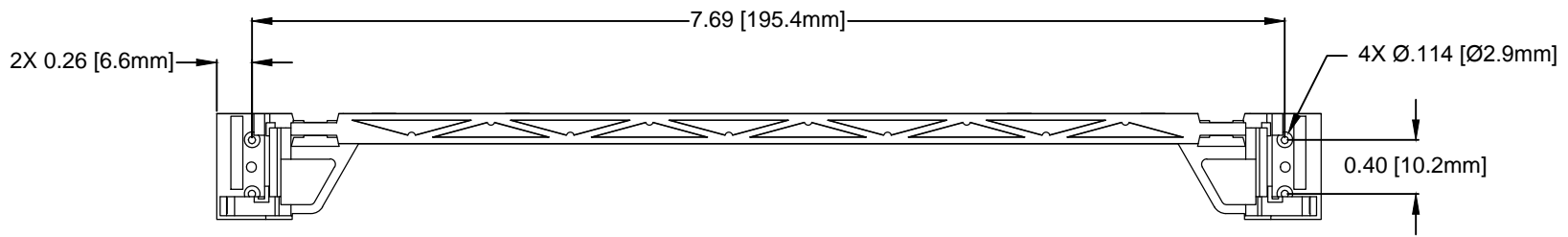
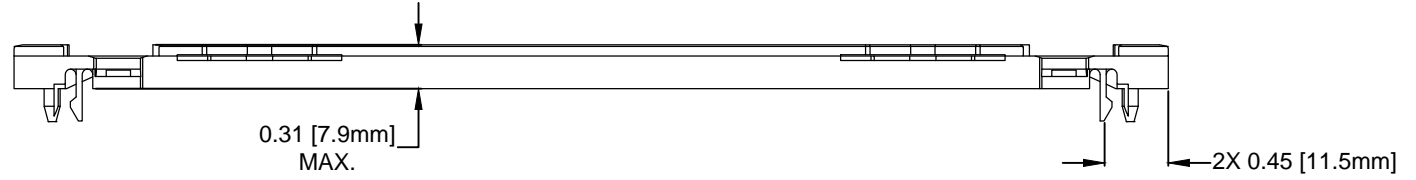
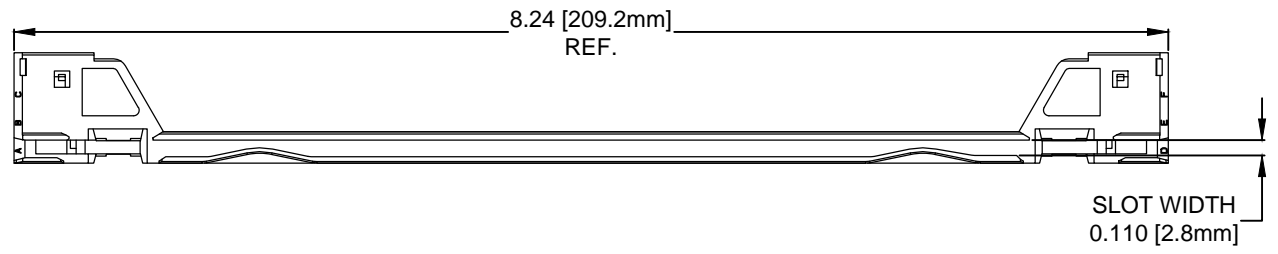
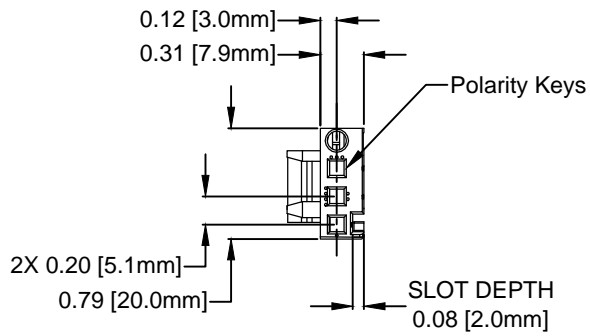


REV.	DESCRIPTION	DATE	APPROVED
B	Engineering Release.	11/20/14	J. C.



ORDERING INFORMATION

PART NUMBER	COLOR
CPCI-220	GREY
CPCI-220Y	YELLOW
CPCI-220R	RED
CPCI-220G	GREEN

- 2. MATERIAL: POLYCARBONATE, GLASS FILLED 20%
- 1. GENERAL SPECIFICATIONS: BIVAR MOLDED COMPONENT SPECIFICATION BV00-E101.

STANDARD TOLERANCE (UNLESS OTHERWISE SPECIFIED)		 4 THOMAS, IRVINE, CA. 92618 TEL: (949) 951-8808 FAX: (949) 951-3974	
DECIMALS	ANGULAR		
.X ±.1	X° ± 1°	 TITLE: 220mm COMPACT-PCI CARD GUIDE	REVISION: B
.XX ±.01			
.XXX ±.005		DESIGNED: Alex Wright	DATE: 08/21/14
		CHECKED: Brian Oliver	DATE: 08/21/14
		CAGE CODE : 32559	SHEET # 1 OF 1
CAD GENERATED DOCUMENT, DO NOT MEASURE DRAWING.			