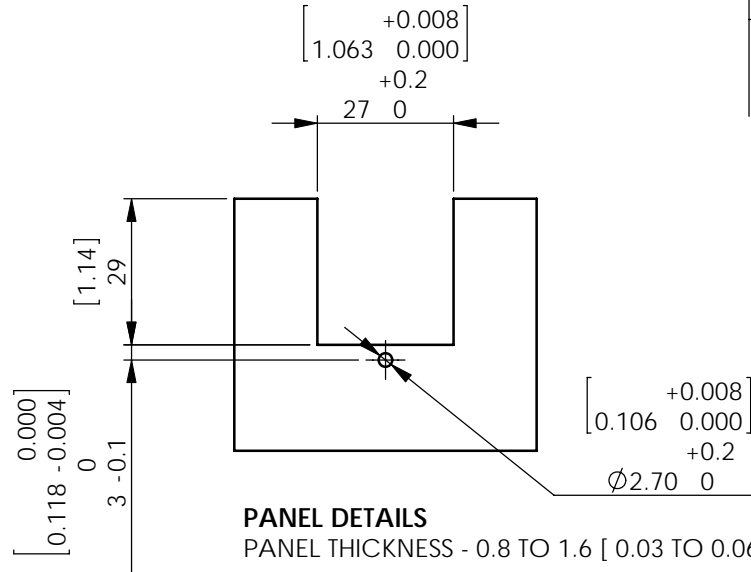
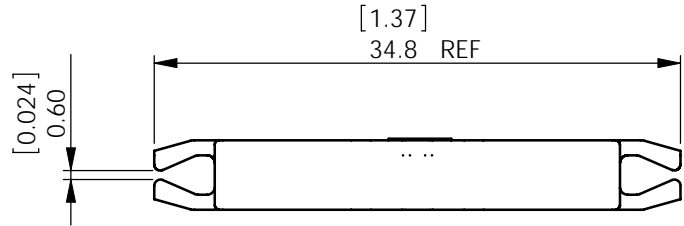
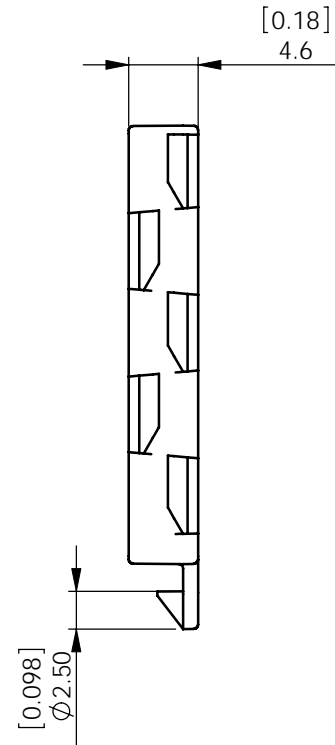
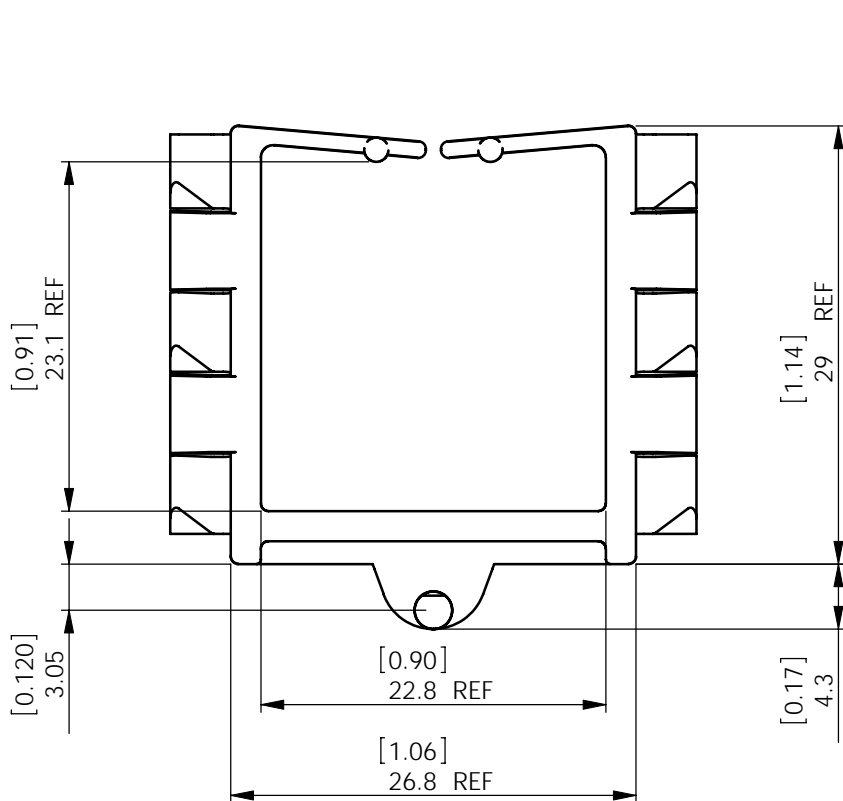
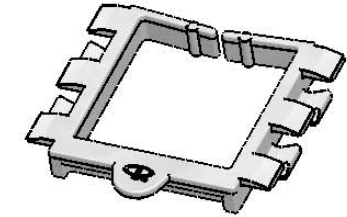


PART NUMBER	MATERIAL
LEWSE-27-01	NYLON 6/6 UL 94 V-2 (RMS-01)

REV.	MODIFICATION.	DATE	DRN
01	SALES RELEASE	25/03/09	TC
02	CO2010719	18/06/09	SF
03	CO2010720	19/06/09	SF



PANEL DETAILS
 PANEL THICKNESS - 0.8 TO 1.6 [0.03 TO 0.06]



NOTES.

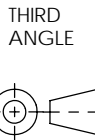
- PARTS AVAILABLE IN NYLON 6/6 UL 94 V-0(RMS-19) MATERIAL BY SPECIAL ORDER. USE LEWSE-27-19 TO ORDER.
- PARTS ALSO AVAILABLE IN NYLON 4/6 UL 94 V-2 (RMS-109) MATERIAL BY SPECIAL ORDER. USE LEWSE-27-109 TO ORDER.

ALTERNATE UNITS FOR REFERENCE ONLY

INFORMATION CONTAINED IN THIS DOCUMENT IS CONFIDENTIAL TO RICHCO INTERNATIONAL Co. Ltd. AND MAY NOT BE DISCLOSED OR REPRODUCED IN WHOLE OR PART WITHOUT THEIR WRITTEN CONSENT.



ALL DIMENSIONS IN mm
 GENERAL TOLERANCES ±0.25
 UNLESS OTHERWISE STATED
 1 DECIMAL PLACE ±
 2 DECIMAL PLACES ±
 ANGULAR ±1°



MATERIAL: SEE TABLE		COLOUR: NATURAL	
DESCRIPTION: EDGE WIRE SADDLE		PART No: SEE TABLE	
DRG No: 09-029	NPR No: DE08-0120	SHEET SIZE A4	
DRN PH	DATE 08/01/09	CHKD TC	DATE 25/03/09
SCALE NTS	SHEET No. 1 OF 1		