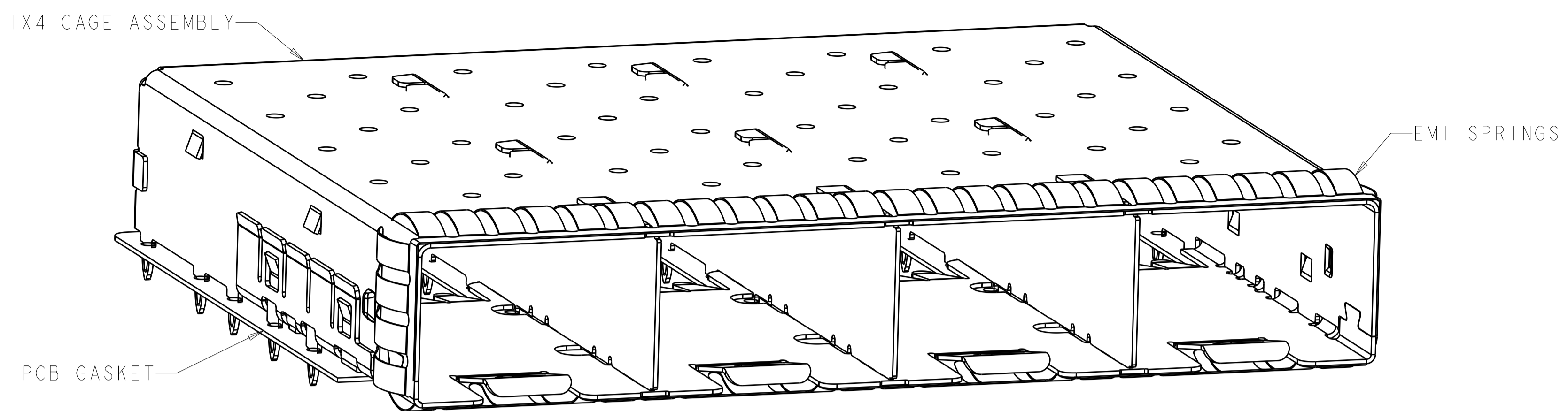
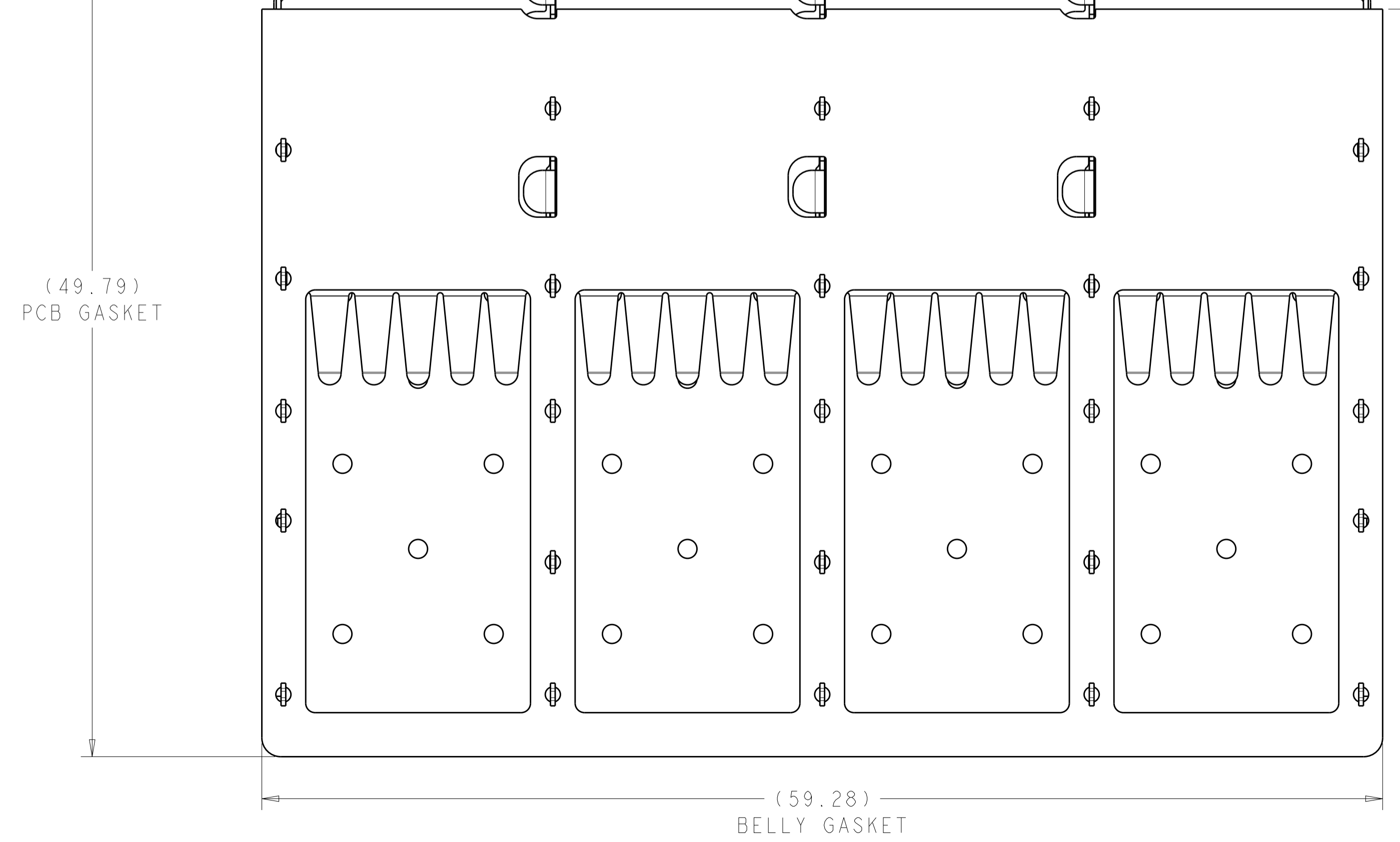
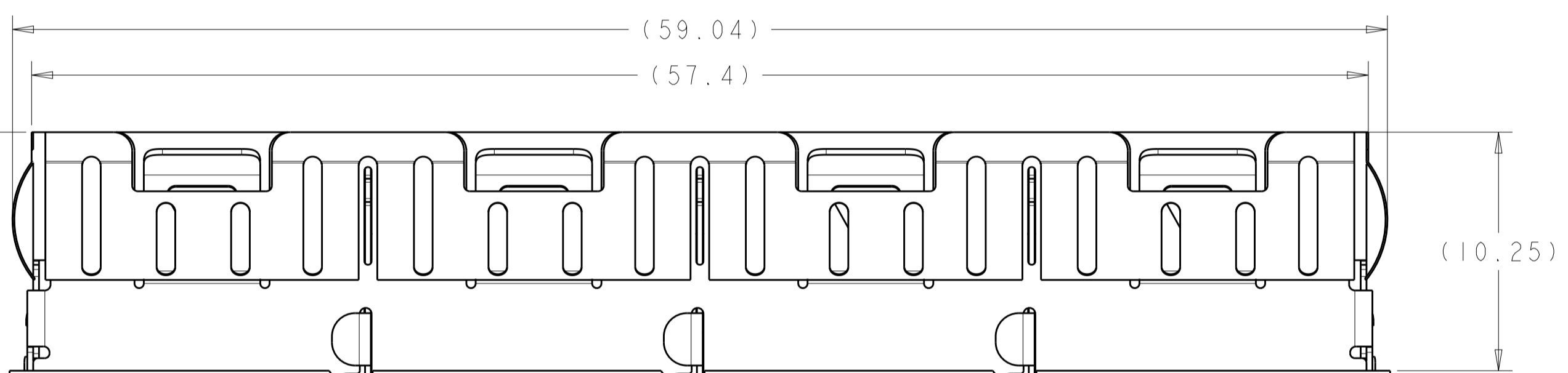
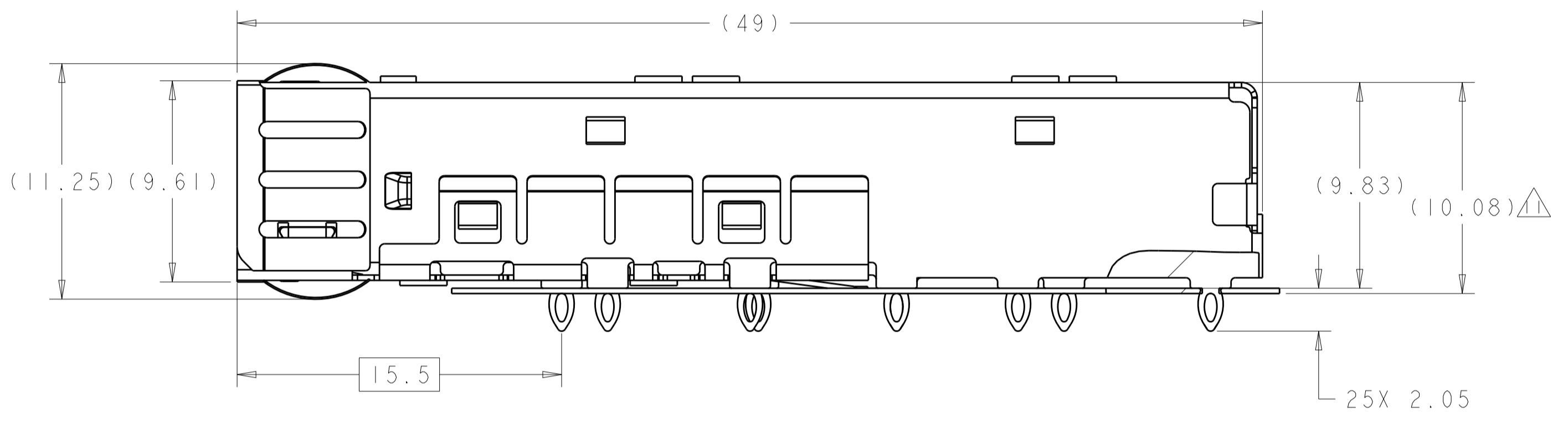
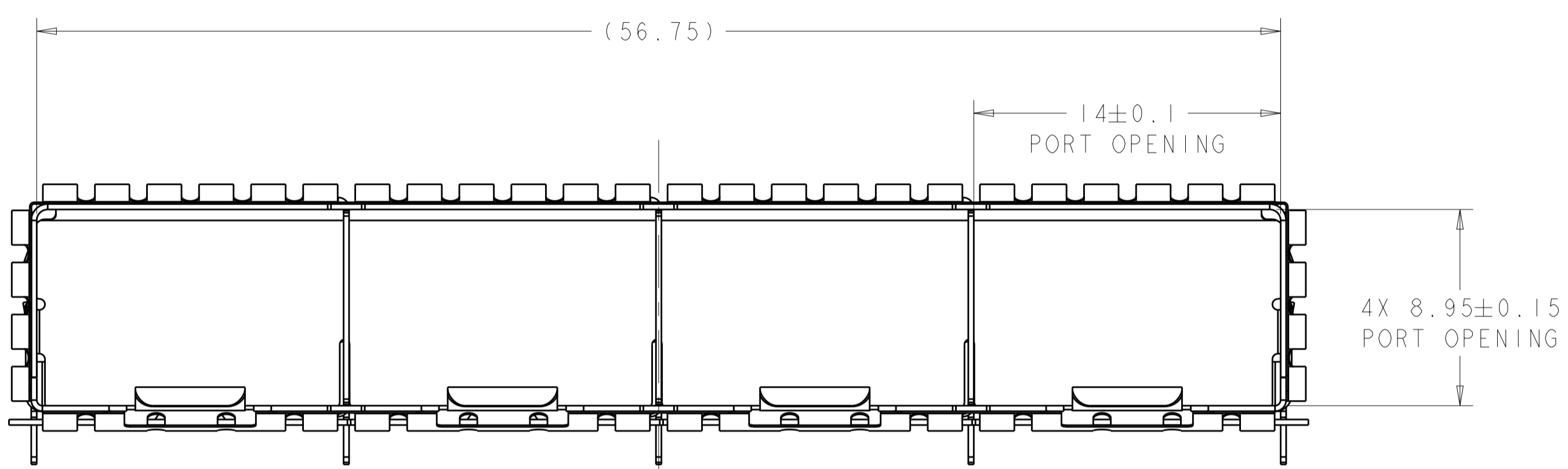


LOC	DIST	REVISIONS			
GP	00	REV	DATE	BY	CHKD
A		PRODUCTION RELEASE	16 JUN 2017	JW	SH



- ⚠ MATERIAL:
CAGE ASSEMBLY: NICKEL SILVER ALLOY
EMI SPRINGS: COPPER ALLOY
PCB GASKET: RF ABSORBER
- ⚠ MINIMUM PC BOARD THICKNESS:
SINGLE SIDED = 3.2mm
BELLY TO BELLY = 3.2mm
- ⚠ PADS AND VIAS CHASSIS GROUND
- ⚠ DATUM AND BASIC DIMENSION ESTABLISHED BY CUSTOMER
- 5. MATES WITH SFP MSA COMPLIANT TRANSCEIVERS
- 6. INTERPRETATION OF DATUM REFERENCE FRAME IN ACCORDANCE WITH SECT 4.4.1.1 OF ASME Y14.5M-1994
- ⚠ REFERENCE APPLICATION SPEC. 114-13120, HOLE A, FOR RECOMMENDED DRILL HOLE DIAMETER AND PLATING THICKNESS
- ⚠ REFERENCE APPLICATION SPEC. 114-13120, HOLE B, FOR RECOMMENDED DRILL HOLE DIAMETER AND PLATING THICKNESS
- ⚠ HOLE PATTERN REPEATS FOR EACH PORT, SPACING BETWEEN PORTS IS 14.25mm
- 10. PRODUCT COMPLIES WITH SPECIFICATION SFF-8433, IMPROVED PLUGGABLE FORM FACTOR FOR SFP+ GANGED CAGES
- ⚠ CONTACT STANDOFF WILL PIERCE GASKET WHEN PROPERLY PRESSED INTO PCB.

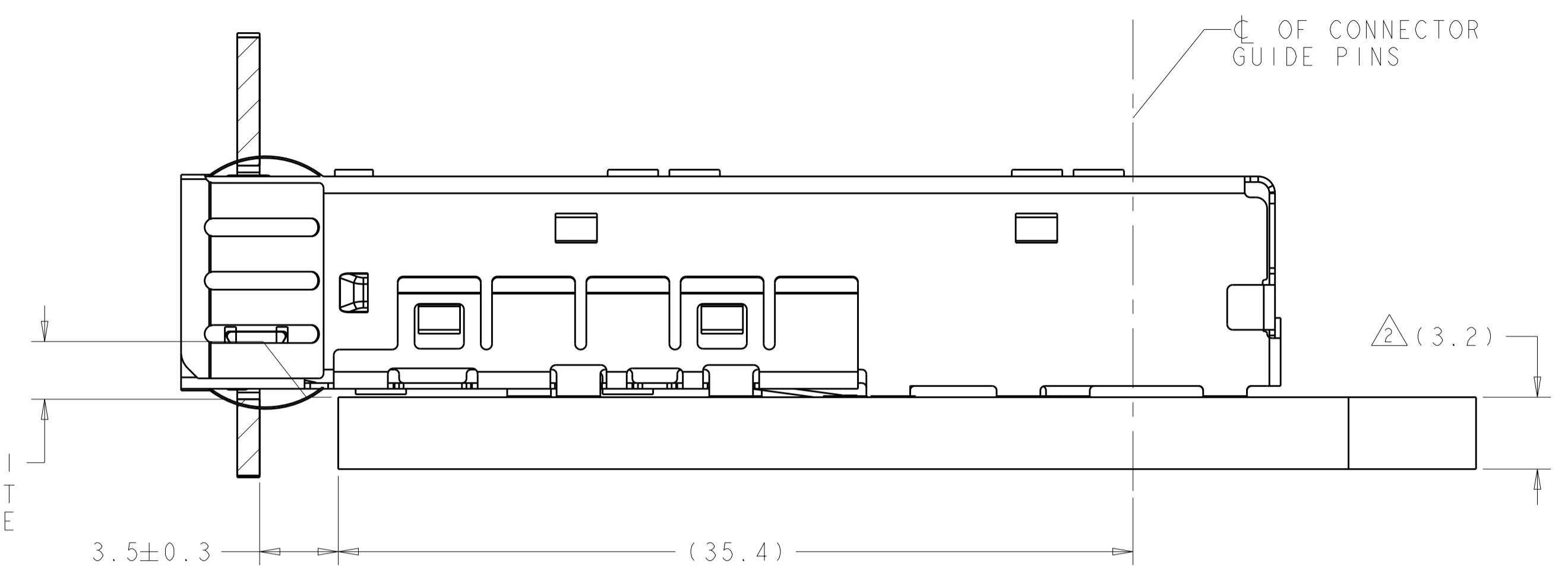
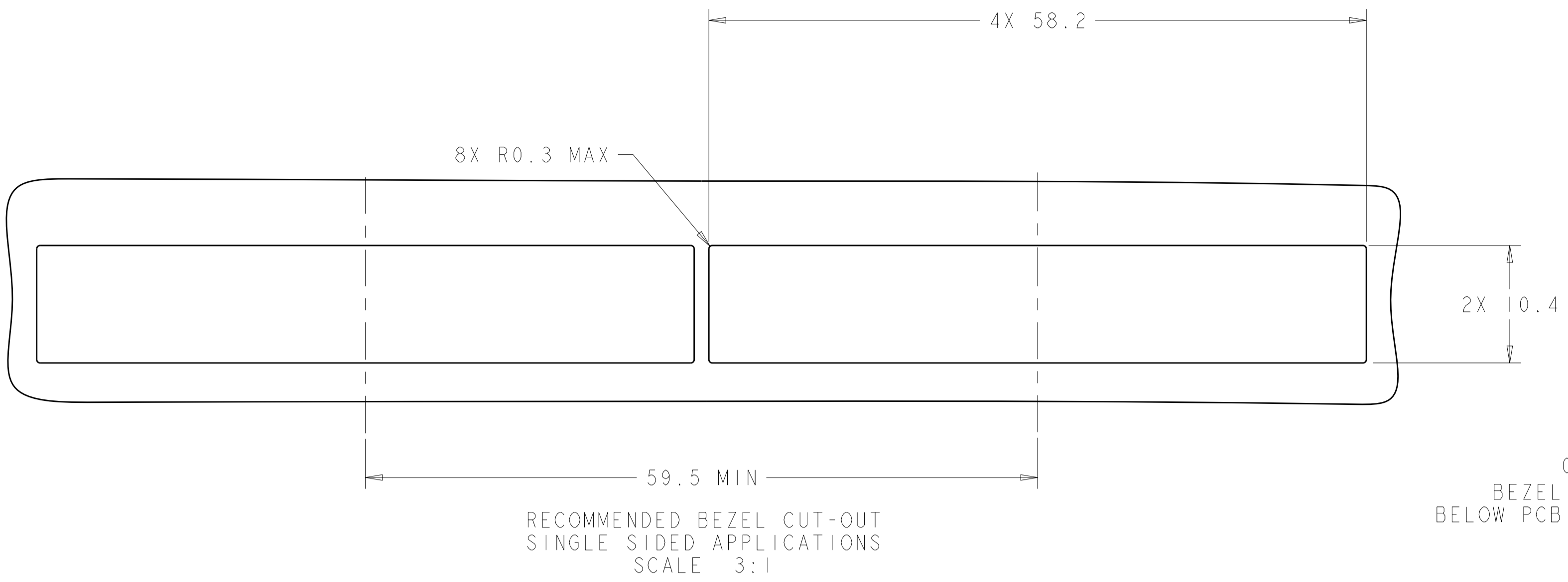


2300275-1
PART NUMBER

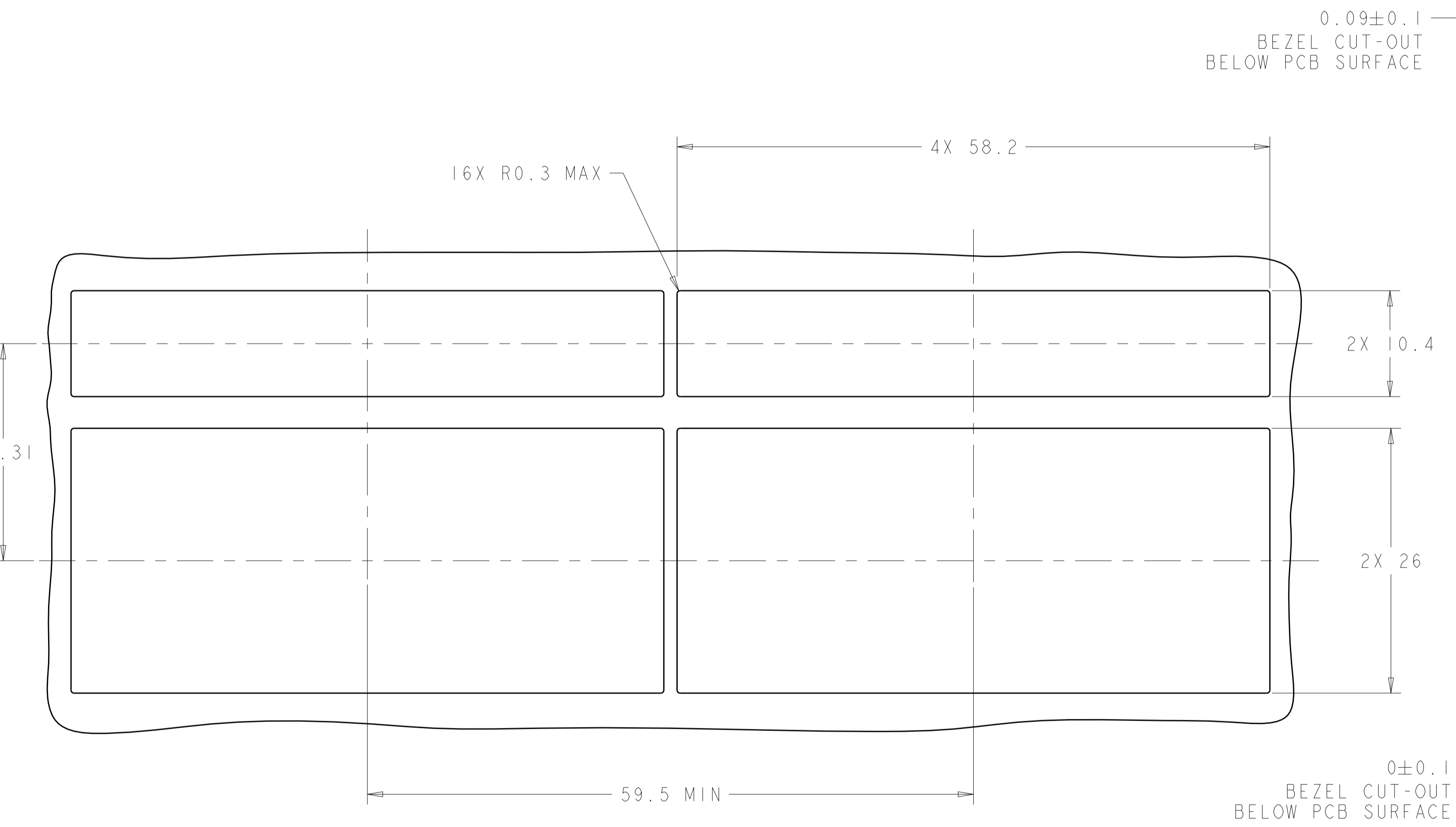
THIS DRAWING IS A CONTROLLED DOCUMENT.		OWN: HENJH 02FEB2016	
DIMENSIONS: mm		CHK: SEAN HAN 02FEB2016	
TOLERANCES UNLESS OTHERWISE SPECIFIED:		APV: SEAN HAN 02FEB2016	
0 PLC ±0.1 1 PLC ±0.1 2 PLC ±0.08 3 PLC ±0.05 4 PLC ±0.05 ANGLES ±1°		NAME: CAGE ASSEMBLY WITH EMI SPRINGS PRODUCT SPEC: 108-2364 APPLICATION SPEC: 114-13120 SIZE: A1 CAGE CODE: 00779 DRAWING NO: C=2300275 WEIGHT: - CUSTOMER DRAWING: -	
MATERIAL: SEE NOTES		FINISH: SEE NOTES	
SCALE: 5:1		SHEET 1 OF 4	
REV: A		RESTRICTED TO:	

LOC	DIST	REV	DATE	BY	APPD
GP	00				

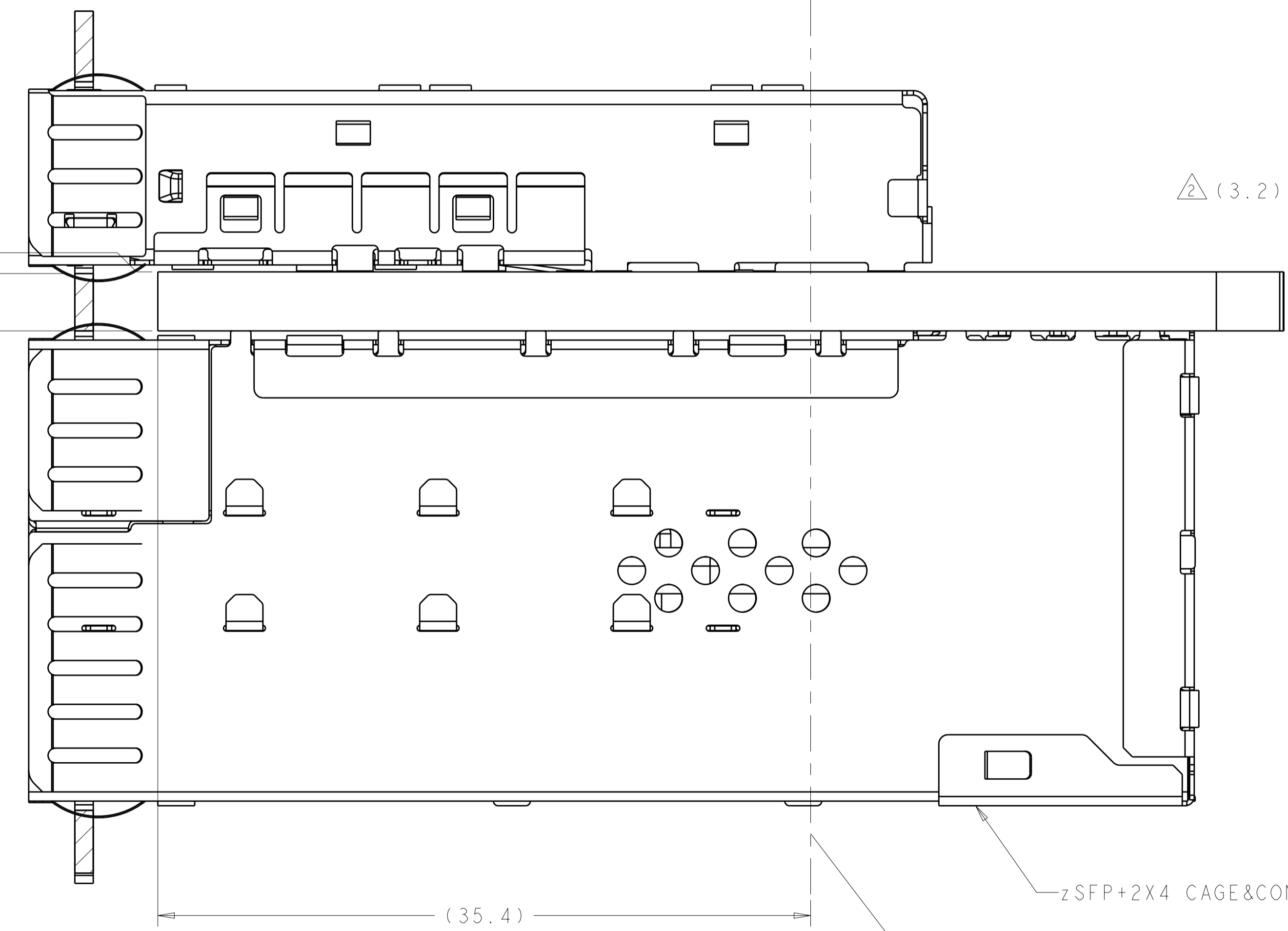
REVISIONS			
NO.	DESCRIPTION	DATE	BY
1	SEE SHEET 1	-	-



MOUNTED ON PC BOARD
SHOWN THRU RECOMMENDED BEZEL
SCALE 5:1



0.09±0.1
BEZEL CUT-OUT
BELOW PCB SURFACE

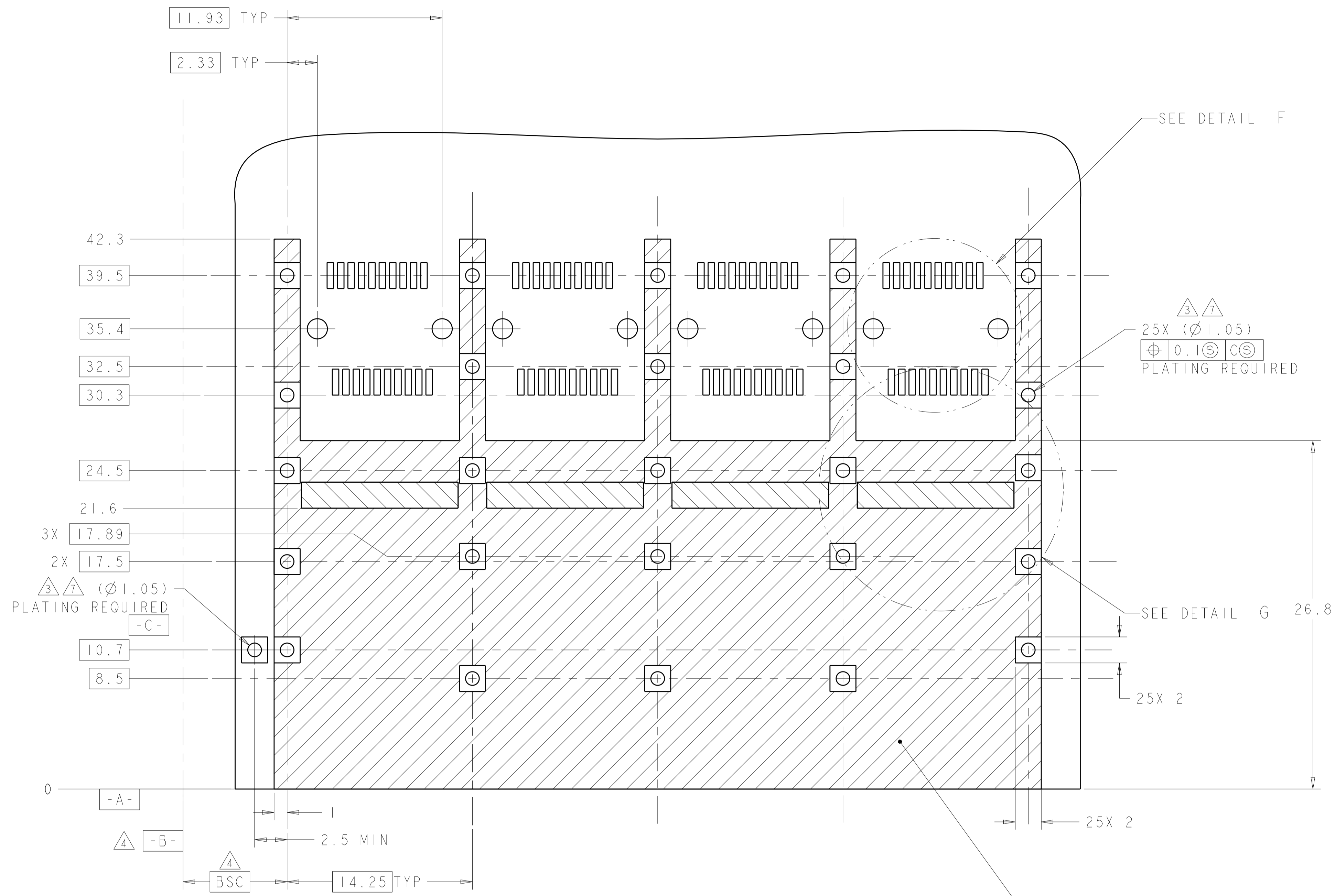


MOUNTED BELLY TO BELLY ON PC BOARD
SHOWN THRU RECOMMENDED BEZEL
SCALE 5:1

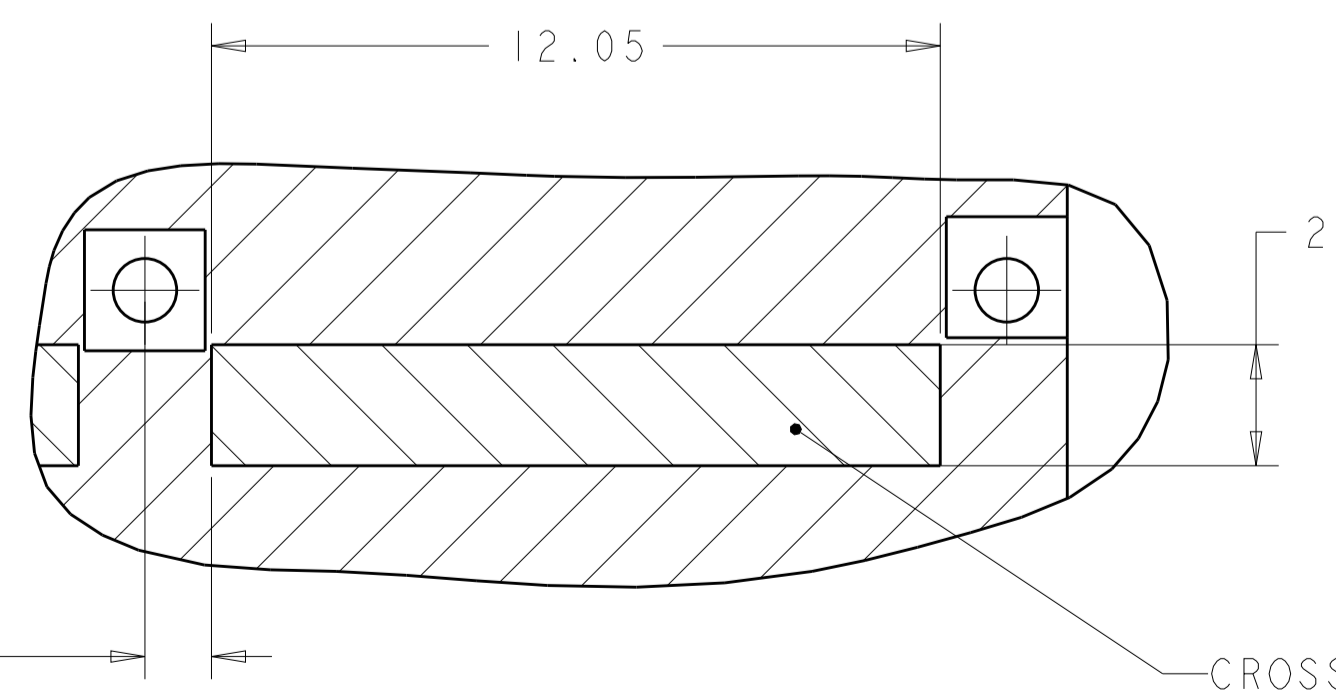
THIS DRAWING IS A CONTROLLED DOCUMENT.		OWN: REVIN 02FEB2016	STE TE Connectivity
DIMENSIONS: mm		CHK: SEAN HAN 02FEB2016	
TOLERANCES UNLESS OTHERWISE SPECIFIED:		APVD: SEAN HAN 02FEB2016	NAME: CAGE ASSEMBLY WITH EMI SPRINGS, PRESS-FIT, 1X4, zSFP+
0 PLC ±0.1	1 PLC ±0.1	PRODUCT SPEC: 108-2364	SIZE: A1
2 PLC ±0.08	3 PLC ±0.05	APPLICATION SPEC: 114-13120	CAGE CODE: 2300275
4 PLC ±0.05	ANGLES ±1°	WEIGHT: -	RESTRICTED TO: -
MATERIAL: SEE NOTES	FINISH: SEE NOTES	CUSTOMER DRAWING	SCALE: 5:1 SHEET 2 OF 4 REV A

LOC	DIST	REV	DATE	BY	APPD
GP	00				

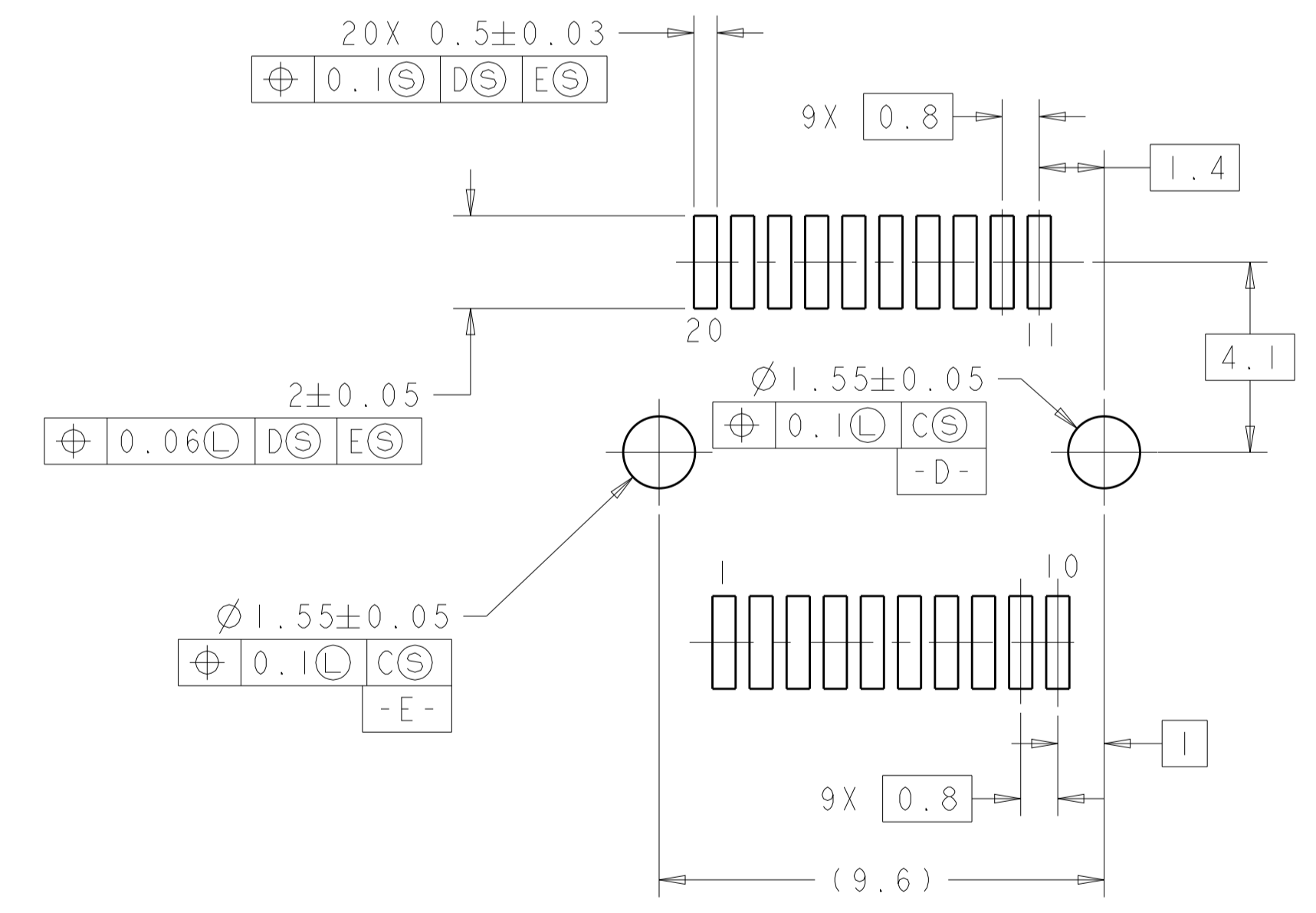
REVISIONS			
NO.	DESCRIPTION	DATE	BY
1	SEE SHEET 1		



RECOMMENDED PCB CONFIGURATION WITH KEEP-OUTS FOR SINGLE SIDE APPLICATIONS
 SCALE 5:1



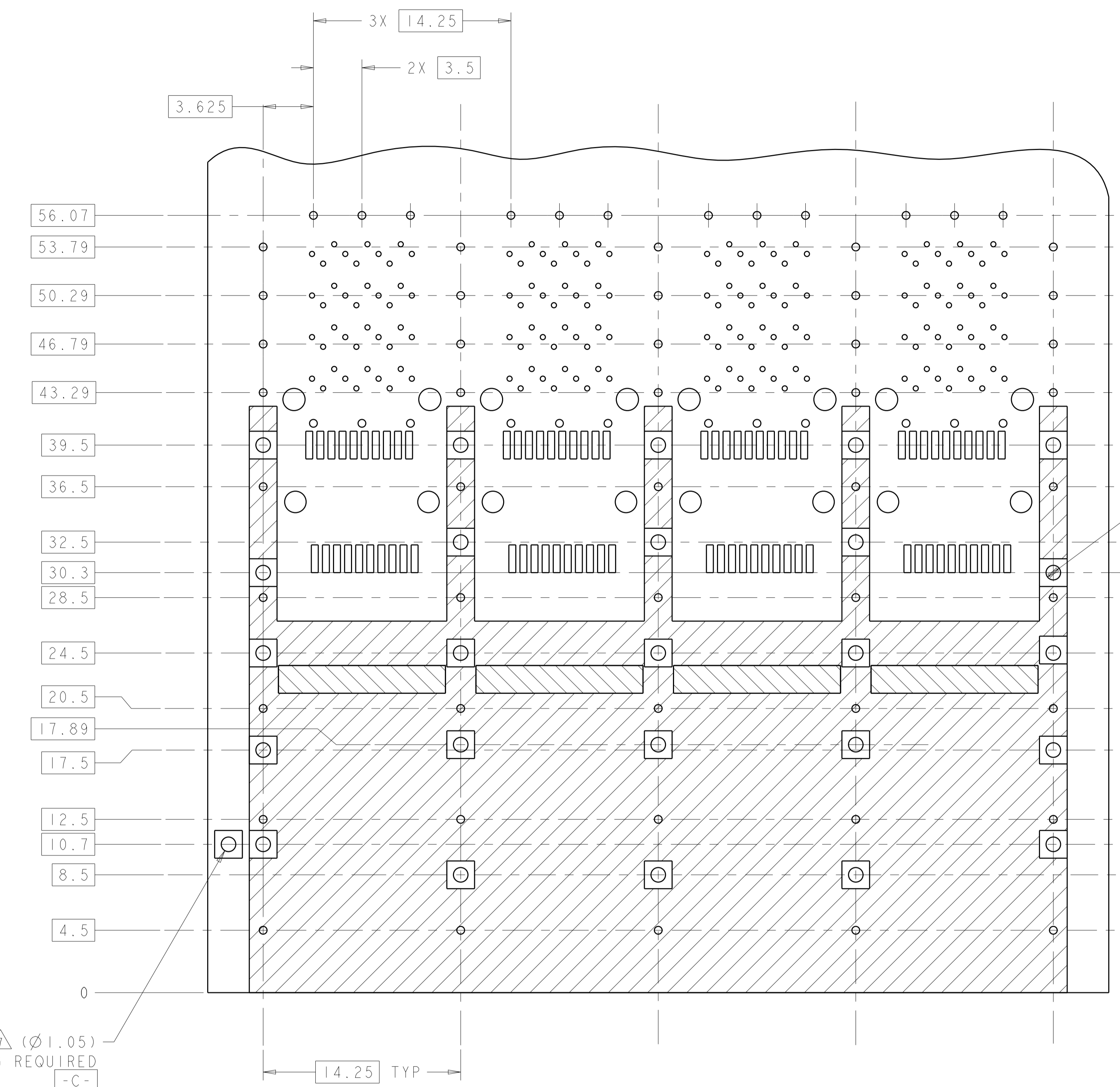
DETAIL G
 4X INDIVIDUALLY
 SCALE 8:1



DETAIL F
 4X INDIVIDUALLY
 SCALE 8:1

THIS DRAWING IS A CONTROLLED DOCUMENT.		OWN: REVIN 02FEB2016	TE Connectivity
DIMENSIONS: mm		CHK: SEAN HAN 02FEB2016	
TOLERANCES UNLESS OTHERWISE SPECIFIED:		APVD: SEAN HAN 02FEB2016	NAME: CAGE ASSEMBLY WITH EMI SPRINGS, PRESS-FIT, 1X4, zSFP+
0 PLC ±0.1 1 PLC ±0.1 2 PLC ±0.08 3 PLC ±0.05 4 PLC ±0.05 ANGLES ±1°		PRODUCT SPEC: 108-2364	RESTRICTED TO: -
MATERIAL: SEE NOTES		APPLICATION SPEC: 114-13120	SIZE: A100779
FINISH: SEE NOTES		WEIGHT: -	CAGE CODE: 2300275
		CUSTOMER DRAWING	SCALE: 6:1 SHEET 3 OF 4 REV A

LOC	DIST	REVISIONS			
P	LTN	DESCRIPTION	DATE	DWN	APVD
GP	00	SEE SHEET 1	-	-	-



(Ø1.05)
 PLATING REQUIRED
 -C-

25X (Ø1.05)

 PLATING REQUIRED

RECOMMENDED PCB CONFIGURATION WITH KEEP-OUTS FOR BELLY TO BELLY APPLICATIONS
 SAME AS SINGLE SIDE APPLICATION, EXCEPT AS SHOWN
 SCALE 5:1

THIS DRAWING IS A CONTROLLED DOCUMENT.		DWN: REVIN 02FEB2016	TE Connectivity
DIMENSIONS: mm		CHK: SEAN HAN 02FEB2016	
		APVD: SEAN HAN 02FEB2016	NAME: CAGE ASSEMBLY WITH EMI SPRINGS, PRESS-FIT, 1X4, zSFP+
TOLERANCES UNLESS OTHERWISE SPECIFIED: 0 PLC ±0.1 1 PLC ±0.1 2 PLC ±0.08 3 PLC ±0.05 4 PLC ±0.05 ANGLES ±1°		PRODUCT SPEC: 108-2364	
MATERIAL: SEE NOTES		APPLICATION SPEC: 114-13120	SIZE: A1
FINISH: SEE NOTES		WEIGHT: -	CAGE CODE: 2300275
CUSTOMER DRAWING		SCALE: 6:1	SHEET: 4 OF 4