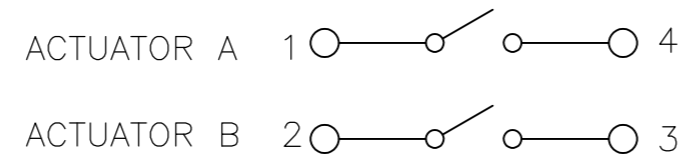
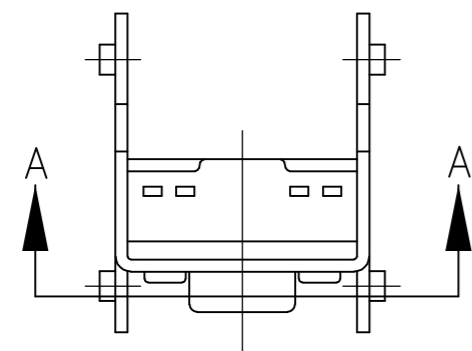


THIS DRAWING IS UNPUBLISHED. RELEASED FOR PUBLICATION  
 © COPYRIGHT - By - ALL RIGHTS RESERVED.

LOC		DIST		REVISIONS			
P	LTR	DESCRIPTION	DATE	DWN	APVD		
	B1	REVISED PER ECO-11-025366	22DEC11	KH	PO		

### CIRCUIT DIAGRAM



NOTE: TERMINAL NUMBERS ARE FOR REFERENCE ONLY, AND DO NOT APPEAR ON SWITCHES.

### SPECIFICATIONS:

#### MATERIALS:

CASE: PBT, G30, 94HB, BLACK.  
 FRAME: STEEL, TIN PLATE.  
 ACTUATOR BUTTON: PBT, G30, 94HB, COLOR: SEE BELOW.  
 MOVABLE CONTACT: COPPPER ALLOY, SILVER FINISH. FIXED CONTACT/TERMINAL: COPPER ALLOY, SILVER FINISH.

#### ELECTRICAL:

MAX CONTACT RATING: 50MILLIAMPS@24V DC  
 MIN CONTACT RATING: 10MICROAMPS@1V DC  
 CONTACT RESISTANCE: 100 MILLIOHMS MAX.  
 INSULATION RESISTANCE: 100 MEGOHMS @100 VDC.  
 DIELECTRIC STRENGTH: 250 VAC.  
 LIFE EXPECTANCY: 100,000 CYCLES MIN.

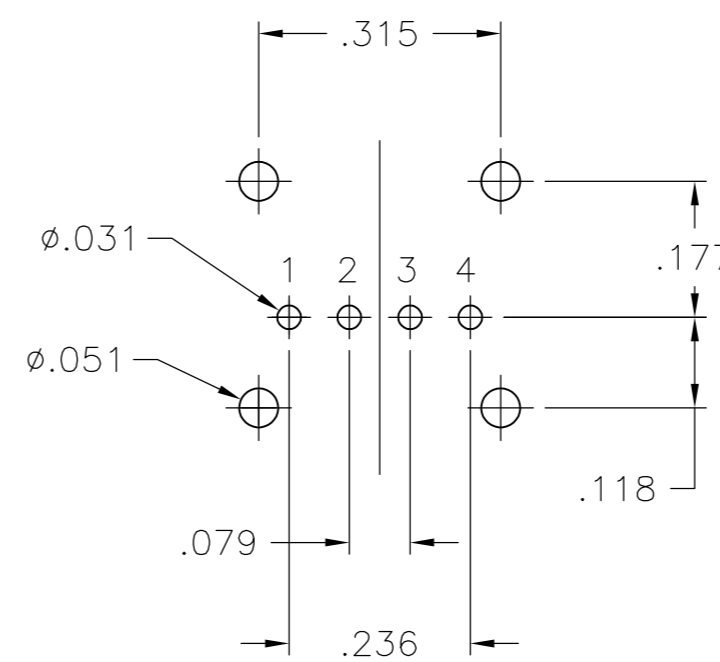
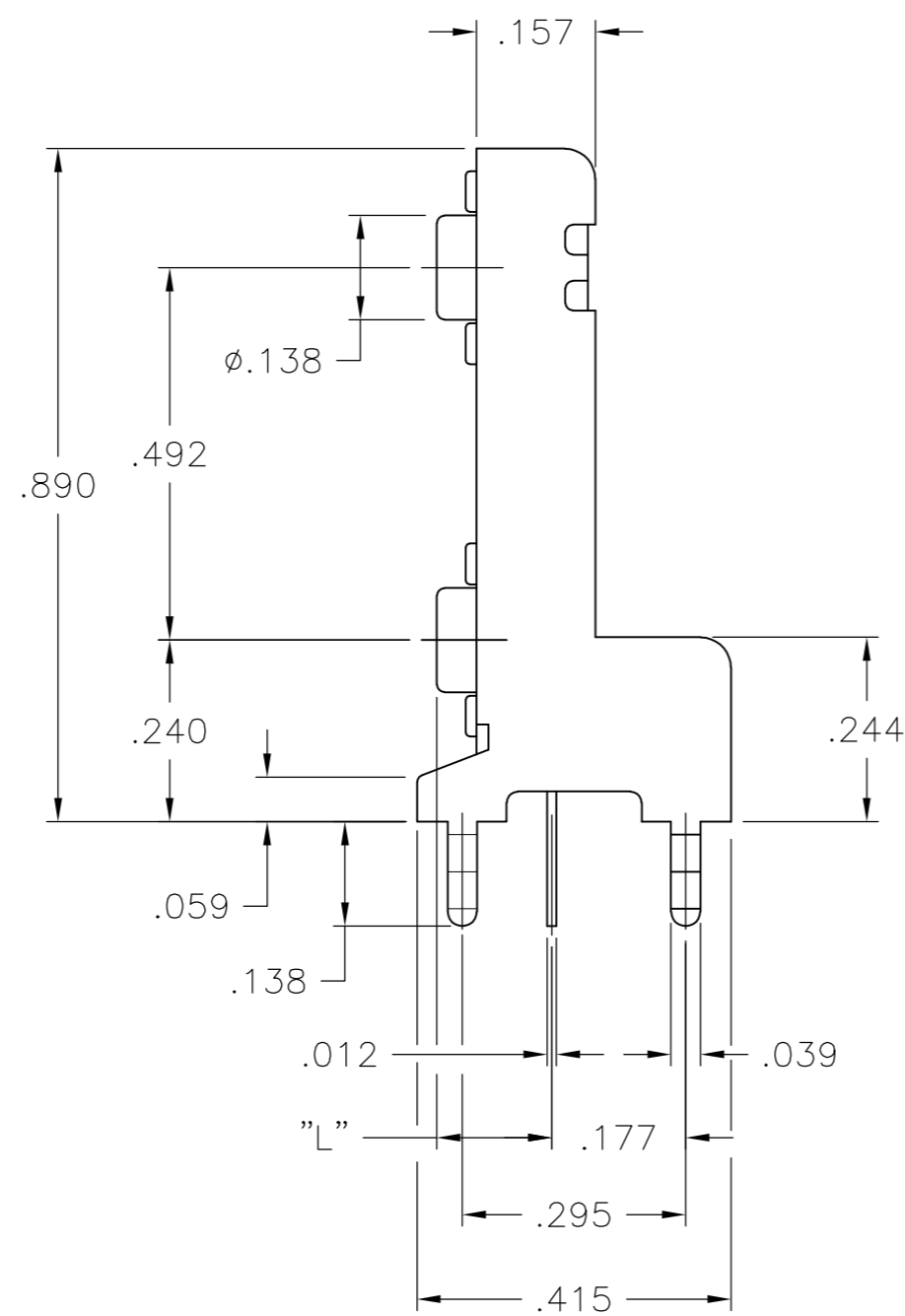
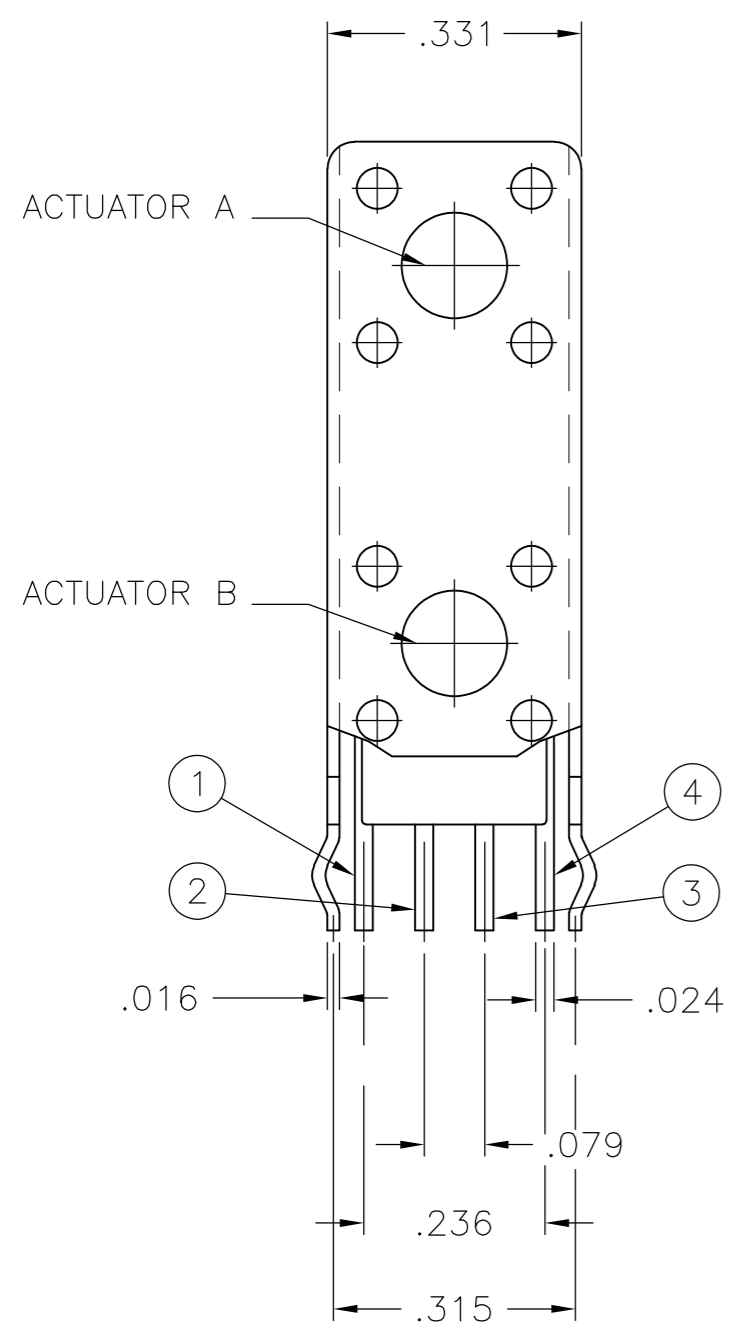
#### MECHANICAL:

ACTUATION FORCE: 160 ±50gf  
 ACTUATION TRAVEL: .010 +.008/-.004 INCHES.

#### ENVIRONMENTAL:

OPERATING TEMPERATURE: -35°C TO +85°C  
 STORAGE TEMPERATURE: -35°C TO +85°C.  
 SOLDER HEAT, PER 109-202 COND B.

1 ALL MATERIALS AND FINISHES SHALL COMPLY WITH EU DIRECTIVE 2002/95/EC OF 27JAN2003 (ROHS)



RECOMMENDED PCB LAYOUT  
 TOLERANCE ±.002 UNLESS OTHERWISE NOTED.

BLACK	.329±.005	FSM2RA9J	3-1437565-2
BLACK	.152±.005	FSM2RA2J	3-1437565-1
ACTUATOR BUTTON COLOR	DIM "L"	ALCO P/N	PART NUMBER

THIS DRAWING IS A CONTROLLED DOCUMENT.		DWN	12APR07																					
DIMENSIONS: INCHES		CHK	12APR07																					
TOLERANCES UNLESS OTHERWISE SPECIFIED:		APVD	12APR07																					
<table border="1"> <tr><td>0 PLC</td><td>±</td><td>-</td></tr> <tr><td>1 PLC</td><td>±</td><td>-</td></tr> <tr><td>2 PLC</td><td>±</td><td>-</td></tr> <tr><td>3 PLC</td><td>±</td><td>.010</td></tr> <tr><td>4 PLC</td><td>±</td><td>-</td></tr> <tr><td>ANGLES</td><td>±</td><td>-</td></tr> <tr><td>FINISH</td><td>-</td><td>-</td></tr> </table>		0 PLC	±			-	1 PLC	±	-	2 PLC	±	-	3 PLC	±	.010	4 PLC	±	-	ANGLES	±	-	FINISH	-	-
0 PLC	±	-																						
1 PLC	±	-																						
2 PLC	±	-																						
3 PLC	±	.010																						
4 PLC	±	-																						
ANGLES	±	-																						
FINISH	-	-																						
MATERIAL	-	PRODUCT SPEC	-	TOWER DUAL BUTTON TACT SWITCH																				
WEIGHT		APPLIC. SPEC	-	SIZE	A2																			
CUSTOMER DRAWING		WEIGHT	-	CAGE CODE	00779																			
SCALE		4:1	DRAWING NO		3-1437565-1																			
SHEET		1 of 1	RESTRICTED TO		-																			
REV		B1																						

WAS 81128