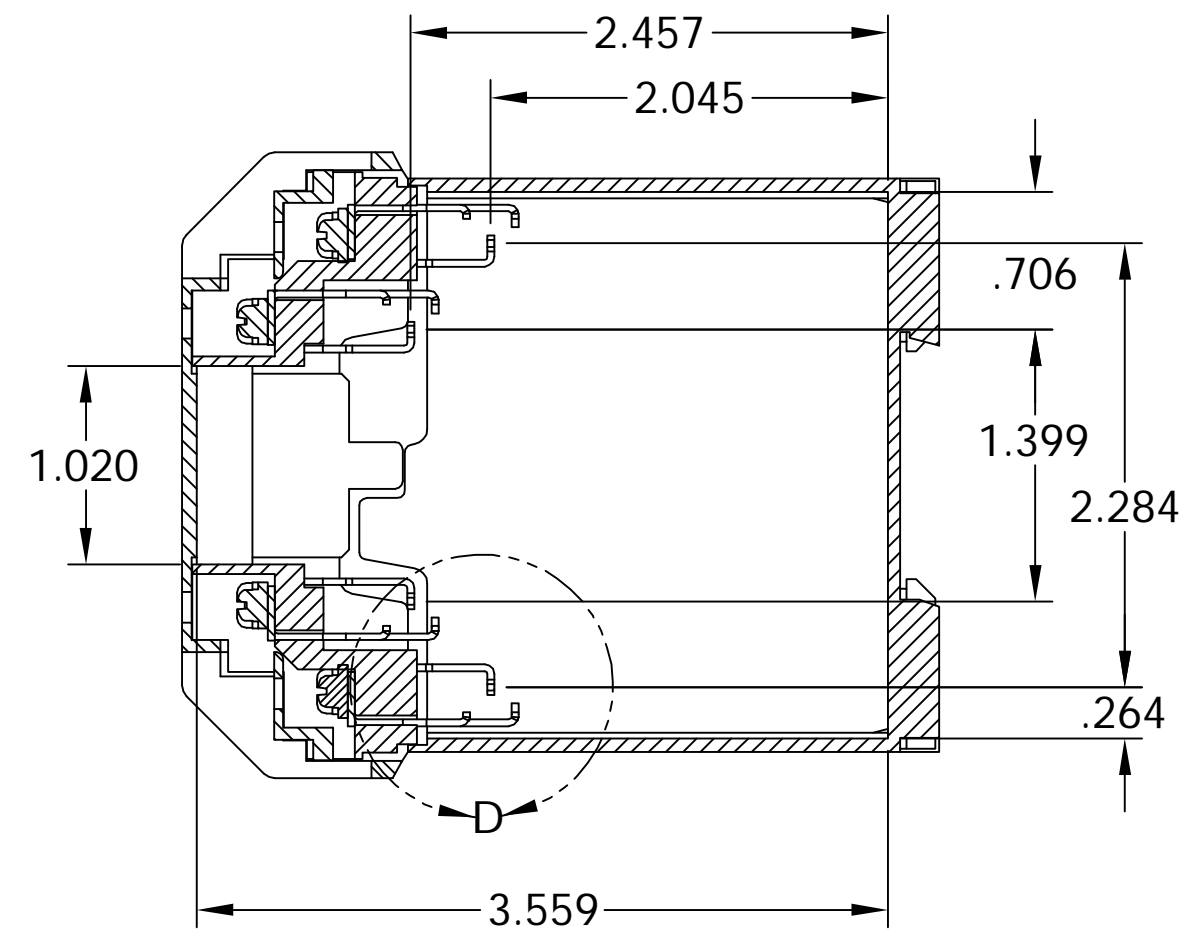
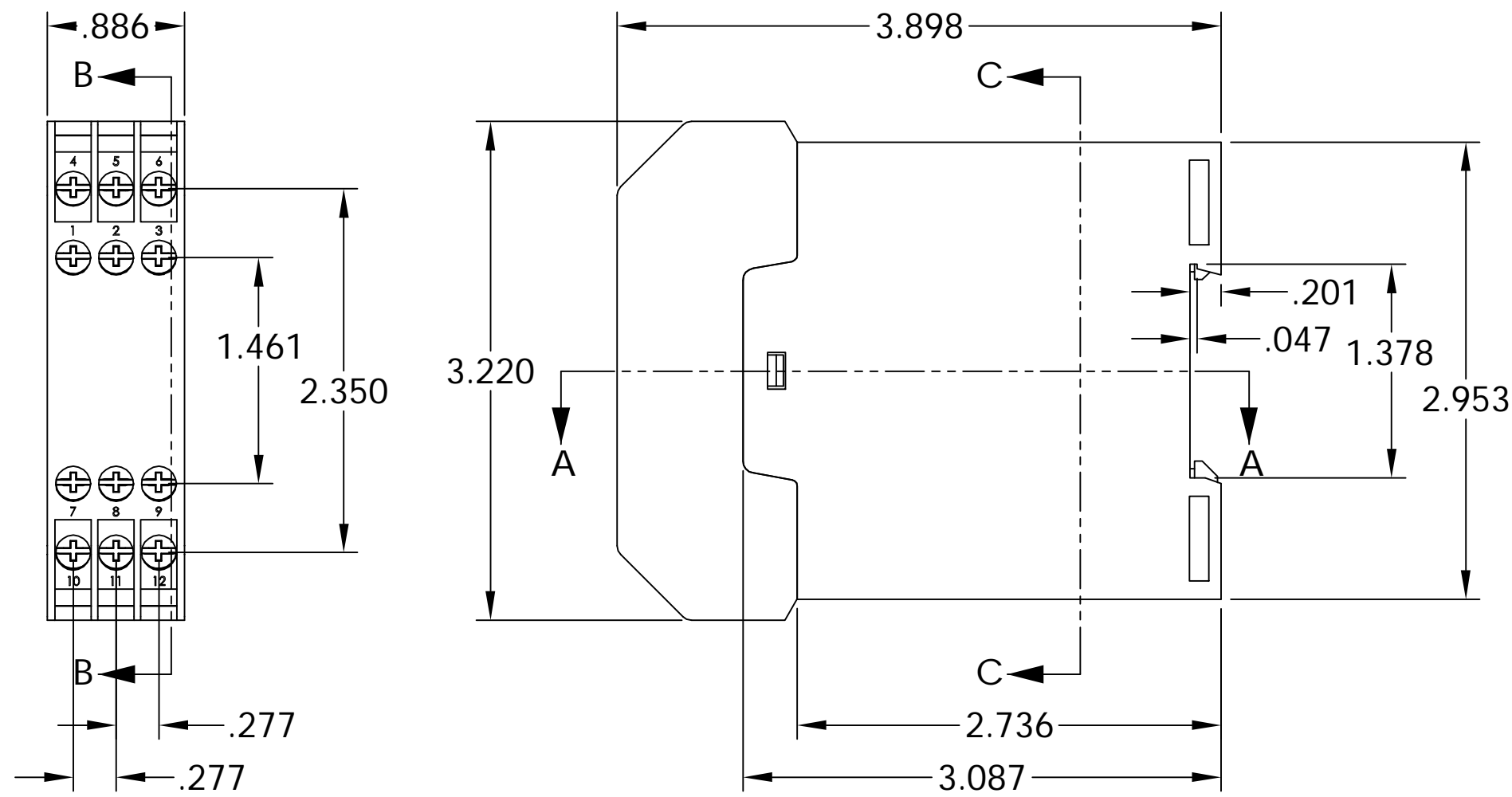
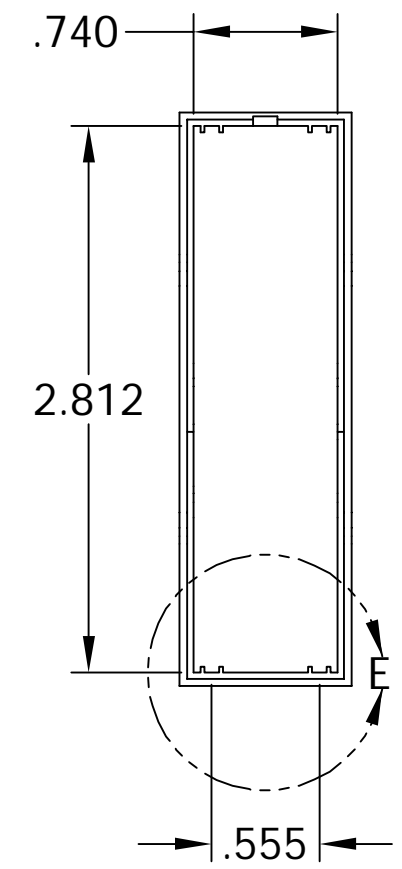


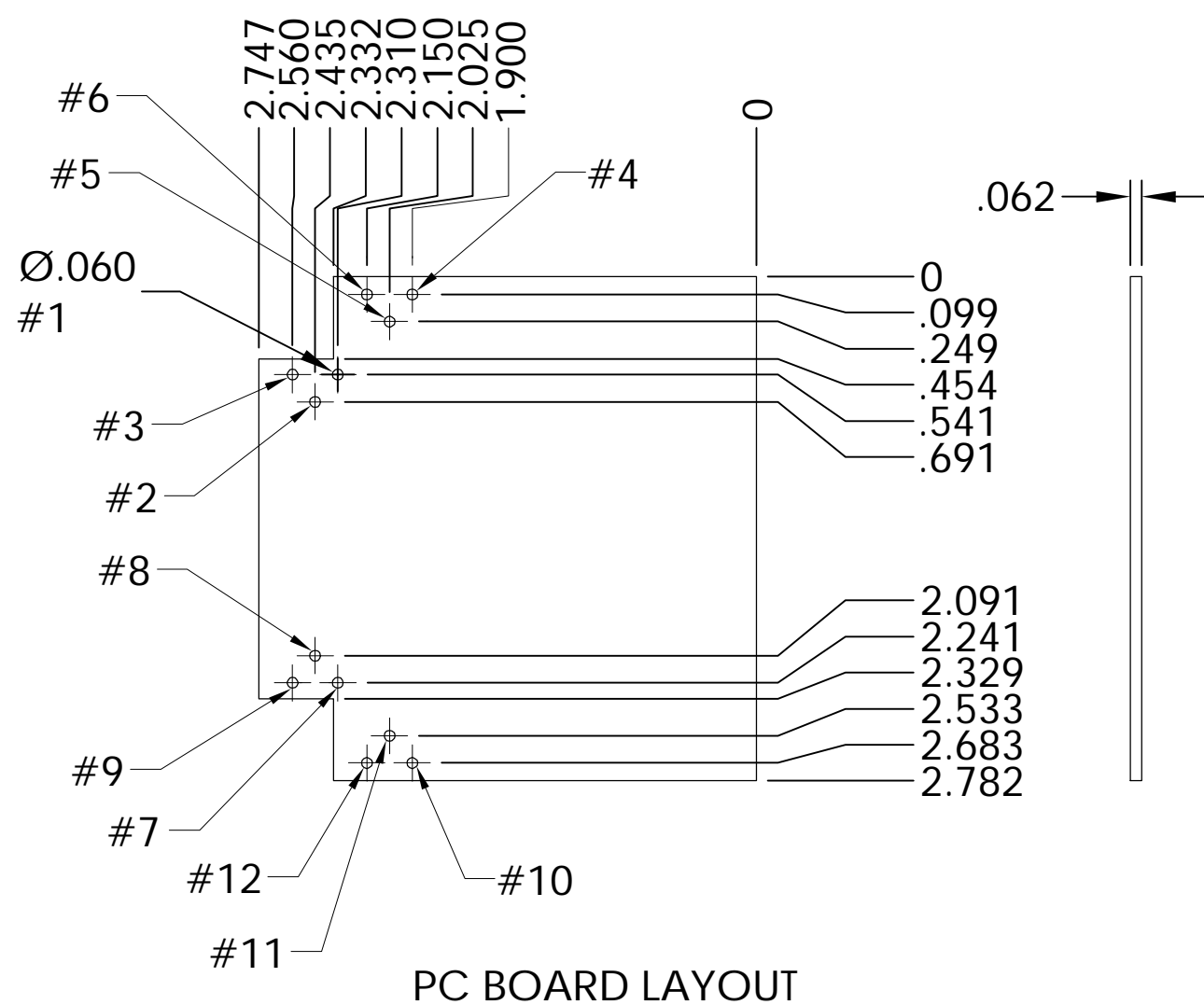
SECTION A-A



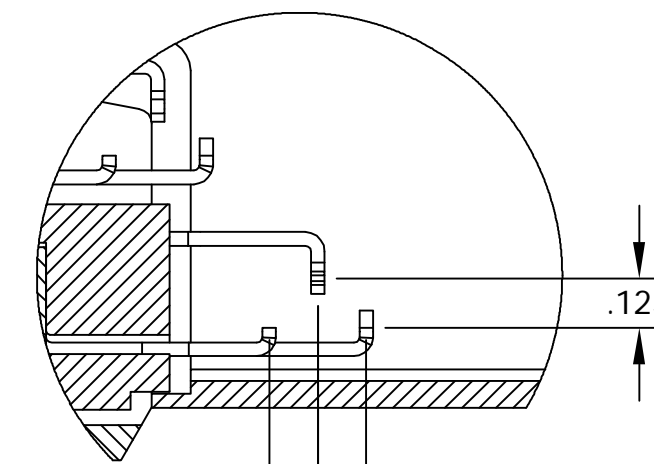
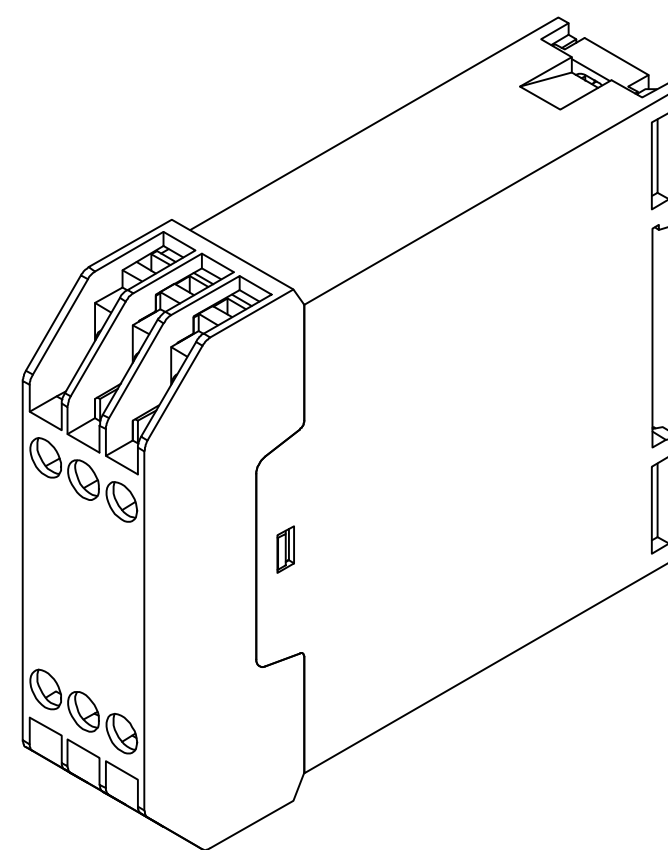
SECTION B-B



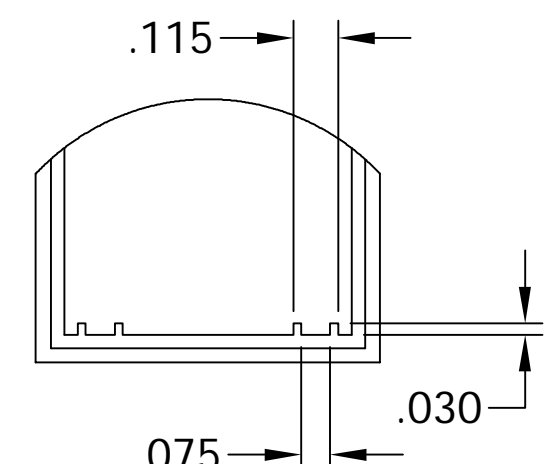
SECTION C-C



PC BOARD LAYOUT



DETAIL D



DETAIL E

MATERIAL: UL94V-0 RATED ABS

FINISH: LIGHT GRAY

ALL DIMENSIONS HAVE A $\pm .015$ TOLERANCE UNLESS OTHERWISE SPECIFIED

ALL CONTACTS ARE TIN PLATED BRASS RATED AT 10 AMPS

NOTE: HOLE NUMBERS CORRESPOND TO CONTACT POSITION